

# END FITTINGS CATALOGUE

CLEVIS BALL JOINT EYELET ZAMAC PLASTIC BRACKET ACCESSORIES



**MK GAS SPRINGS**  
*Mastering Motion Technology*

+90 212 485 0685

[info@mkgassprings.com](mailto:info@mkgassprings.com)

[www.mkgassprings.com](http://www.mkgassprings.com)

## OUR VISION

Creating a recognizable brand through continuous development of a company eagerly chosen by clients and business partners, which combining acquired experience with technology is an example in the field of services as well as being a leader in the sector.

## OUR MISSION

Creating a solid brand through production and providing our partners and clients in the automotive and industrial sector service, which is based on many years of experience, trustworthy, high quality, fast and efficient service.

We never give up on:

**EXPERIENCE**

**QUALITY**

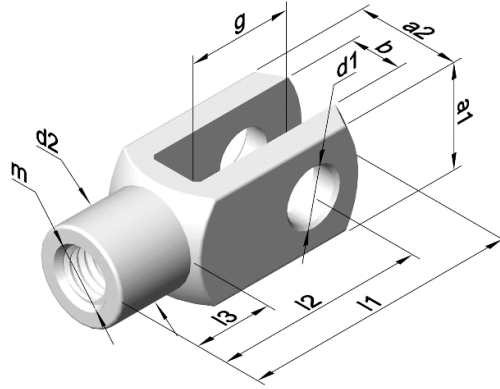
**TIMELINESS**

## ABOUT MK GAS SPRINGS & END FITTINGS

Based on over 20 years of experience, we successfully supply end fittings to many customers in various sectors from about 50 countries around the world. As of today, we produce many different parts according to DIN standards and customers specifications.

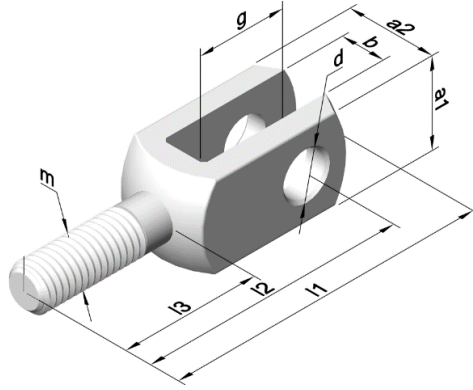
We closely follow the news and development of new production technologies and implement further improvements to be able to quickly respond to customer needs, adapt to rapidly occurring changes and provide even better products.

## CV1 - CLEVIS DIN71752



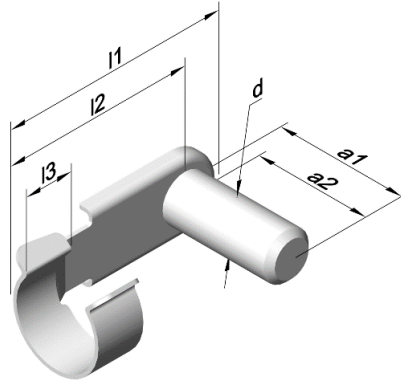
Code	d1	g	m	a1	a2	b	l1	l2	d2	l3
CV101	4	8	M4	8	4	21	16	8	6	
CV101.M5	4	8	M5	8	4	21	16	8	6	
CV102	4	16	M4	8	4	29	24	8	6	
CV103	5	10	M5	10	5	26	20	9	7,5	
CV103.M6	5	10	M6	10	5	26	20	9	7,5	
CV104	5	20	M5	10	5	36	30	9	7,5	
CV105	6	12	M6	12	6	31	24	10	9	
CV105.B65	6	12	M6	12	6,5	31	24	10	9	
CV106	6	24	M6	12	6	43	36	10	9	
CV106.M5	6	24	M5	12	6	43	36	10	9	
CV107	8	16	M8	16	8	42	32	14	12	
CV107.B9	8	16	M8	16	9	42	32	14	12	
CV107.M6	8	16	M6	16	8	42	32	14	12	
CV107.M10	8	16	M10	16	8	42	32	14	12	
CV108	8	32	M8	16	8	58	48	14	12	
CV108.B9	8	32	M8	16	9	58	48	14	12	
CV109	10	20	M10	20	10	52	40	18	15	
CV109.M8	10	20	M8	20	10	52	40	18	15	
CV110	10	40	M10	20	10	72	60	18	15	
CV110.M6	10	40	M6	20	10	72	60	18	15	
CV111	12	24	M12	24	12	62	48	20	18	
CV112	12	48	M12	24	12	86	72	20	18	
CV113	14	28	M14	27	14	72	56	24	22,5	
CV113F	14	28	M14x1,5	27	14	72	56	24	22,5	
CV115	16	32	M16	32	16	83	64	26	24	
CV116	16	64	M16	32	16	115	96	26	24	
CV117	20	40	M20	40	20	105	80	34	30	

## CV2 - CLEVIS DIN71752 WITH MALE THREAD



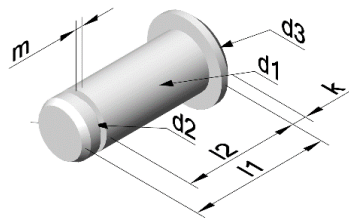
Code	d	g	m	a1	a2	b	l1	l2	l3
CV201	6	12	M6	12	6	44	37	20	
CV202	8	16	M8	16	8	57	47	25	
CV203	10	20	M10	20	10	69	57	30	
CV204	12	24	M12	24	12	82	68	35	
CV205	14	28	M14	27	14	94	78	40	
CV206	16	32	M16	32	16	108	89	45	
CV207	20	40	M20	40	20	134	109	55	

## CB1 - FOLDING SPRING BOLT



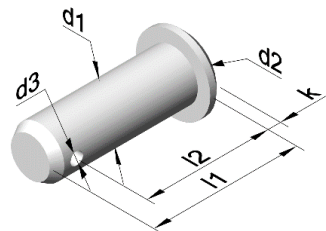
Code	d	a2	a1	l1	l2	l3
CB101	4	9,5	11,25	19	15	4,5
CB103	5	12	14,5	23	19	5,5
CB105	6	14	16,5	28	23	6,5
CB106	6	14	16,5	40	35	6,5
CB107	8	19	21,5	37	31	8
CB108	8	19	21,5	52	46	8
CB109	10	23	26	46	39	10
CB110	10	23	26	66	59	10
CB110.6	6	23	26	66	59	10

## CB2 - BOLT WITH HEAD AND GROOVE



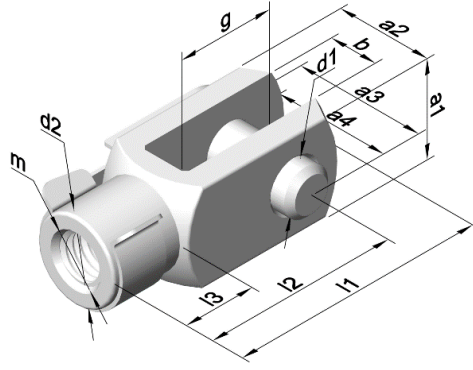
Code	d1	d2	d3	l1	l2	k	m
<b>CB201</b>	4	3,2	6	10,5	8,5	1	0,64
<b>CB202</b>	5	4	8	13	10,5	1,5	0,74
<b>CB203</b>	6	5	9	15,5	12,5	1,5	0,84
<b>CB204</b>	8	6	12	20	16,5	2	0,94
<b>CB204.L22</b>	8	6	12	<b>22</b>	<b>19</b>	2	<b>0,9</b>
<b>CB204.L245</b>	8	6	12	<b>24,5</b>	<b>21,5</b>	2	<b>0,9</b>
<b>CB205</b>	10	8	14	25	20,5	2	1,05
<b>CB205.L245</b>	10	8	14	<b>24,5</b>	<b>21,35</b>	2	1,05
<b>CB206</b>	12	9	17	30	24,5	3	1,15
<b>CB207</b>	14	10	20	33	27,5	3	1,25
<b>CB208</b>	16	12	21	38,5	32,5	3,5	1,35
<b>CB209</b>	20	17,5	28	46	40,5	4	1,8

## CB3 - BOLT WITH HEAD AND PIN HOLE



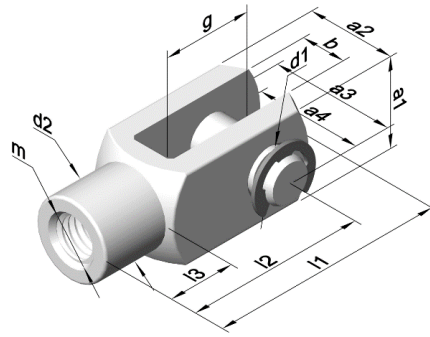
Code	d1	d2	d3	l1	l2	k
<b>CB301</b>	4	6	1	12	10	1
<b>CB302</b>	5	8	1,2	15	12,3	1,5
<b>CB303</b>	6	9	1,6	18	15,3	1,5
<b>CB304</b>	8	12	2	23	19,5	2
<b>CB305</b>	10	14	3,2	29	24,5	2
<b>CB306</b>	12	17	4	35	29,5	3
<b>CB307</b>	14	19	4	40	32,5	3
<b>CB308</b>	16	21	4	45	38,2	3
<b>CB309</b>	20	28	5	53	47	4

# CC1 - CLEVIS JOINT DIN71752 WITH FOLDING SPRING BOLT



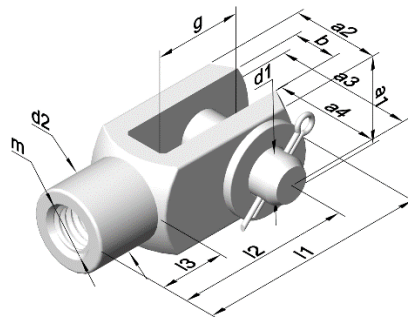
Code	d1	g	m	a1	a2	a3	a4	b	l1	l2	d2	l3
<b>CC101</b>	4	8	M4	8	11,25	9,5	4	21	16	8	6	
<b>CC101.M5</b>	4	8	<b>M5</b>	8	11,25	9,5	4	21	16	8	6	
<b>CC103</b>	5	10	M5	10	12	14,5	5	26	20	9	7,5	
<b>CC103.M6</b>	5	10	<b>M6</b>	10	12	14,5	5	26	20	9	7,5	
<b>CC105</b>	6	12	M6	12	14	16,5	6	31	24	10	9	
<b>CC105.M8</b>	6	12	<b>M8</b>	12	14	16,5	6	31	24	10	9	
<b>CC106</b>	6	24	M6	12	14	16,5	6	43	36	10	9	
<b>CC106.M5</b>	6	24	<b>M5</b>	12	14	16,5	6	43	36	10	9	
<b>CC107</b>	8	16	M8	16	19	21,5	8	42	32	14	12	
<b>CC107.M6</b>	8	16	<b>M6</b>	16	19	21,5	8	42	32	14	12	
<b>CC107.M10</b>	8	16	<b>M10</b>	16	19	21,5	8	42	32	14	12	
<b>CC108</b>	8	32	M8	16	19	21,5	8	58	48	14	12	
<b>CC109</b>	10	20	M10	20	23	26	10	52	40	18	15	
<b>CC109.M8</b>	10	20	<b>M8</b>	20	23	26	10	52	40	18	15	
<b>CC110</b>	10	40	M10	20	23	26	10	72	60	18	15	
<b>CC110.M6</b>	10	40	<b>M6</b>	20	23	26	10	72	60	18	15	

## CC2 - CLEVIS JOINT DIN71752 WITH BOLT WITH GROOVE



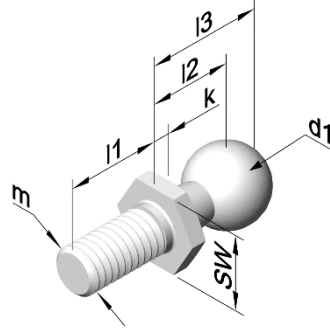
Code	d1	g	m	a1	a2	a3	a4	b	l1	l2	d2	l3
CC201	4	8	M4	8	11,5	10,5	4	21	16	8	6	
CC203	5	10	M5	10	14,5	13	5	26	20	9	7,5	
CC204	5	20	M5	10	14,5	13	5	36	30	9	7,5	
CC205	6	12	M6	12	17	15,5	6	31	24	10	9	
CC206	6	24	M6	12	17	15,5	6	43	36	10	9	
CC207	8	16	M8	16	22	20	8	42	32	14	12	
CC208	8	32	M8	16	22	20	8	58	48	14	12	
CC209	10	20	M10	20	27	25	10	52	40	18	15	
CC210	10	40	M10	20	27	25	10	72	60	18	15	
CC211	12	24	M12	24	33	30	12	62	48	20	18	
CC212	12	48	M12	24	33	30	12	86	72	20	18	
CC213	14	28	M14	27	36	33	14	72	56	24	22,5	
CC215	16	32	M16	32	42	38,5	16	83	64	26	24	
CC217	20	40	M20	40	50	46	20	105	80	34	30	

## CC3 - CLEVIS JOINT DIN71752 WITH BOLT WITH PIN HOLE



Code	d1	g	m	a1	a2	a3	a4	b	l1	l2	d2	l3
CC301	4	8	M4	8	13	12	4	21	16	8	6	
CC303	5	10	M5	10	16,5	15	5	26	20	9	7,5	
CC304	5	20	M5	10	16,5	15	5	36	30	9	7,5	
CC305	6	12	M6	12	19,5	18	6	31	24	10	9	
CC306	6	24	M6	12	19,5	18	6	43	36	10	9	
CC307	8	16	M8	16	25	23	8	42	32	14	12	
CC308	8	32	M8	16	25	23	8	58	48	14	12	
CC309	10	20	M10	20	31	29	10	52	40	18	15	
CC310	10	40	M10	20	31	29	10	72	60	18	15	
CC311	12	24	M12	24	38	35	12	62	48	20	18	
CC312	12	48	M12	24	38	35	12	86	72	20	18	
CC313	14	28	M14	27	43	40	14	72	56	24	22,5	
CC315	16	32	M16	32	48	45	16	83	64	26	24	
CC317	20	40	M20	40	57	53	20	105	80	34	30	

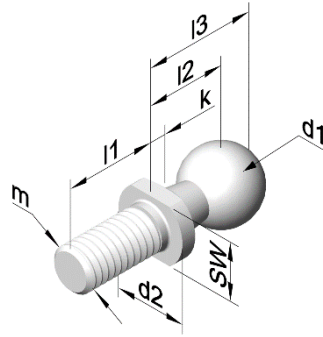
# BS1 - HEXAGONAL BALL STUD DIN71803



Code	d1	l1	m	SW	l2	l3	k
<b>BS108104.6</b>	6	10,2	M4	8	8,5	9,2	2
<b>BS108105.6</b>	6	10,2	M5	8	8,5	9,2	2
<b>BS108104</b>	8	10,2	M4	8	9	12,5	2
<b>BS108105</b>	8	10,2	M5	8	9	12,5	2
<b>BS108106</b>	8	10,2	M6	8	9	12,5	2
<b>BS110115</b>	10	11	M5	10	11	15,5	2,2
<b>BS110116</b>	10	11	M6	10	11	15,5	2,2
<b>BS110118</b>	10	11	M8	10	11	15,5	2,2
<b>BS110126</b>	10	12,5	M6	10	11	15,5	2,2
<b>BS110128</b>	10	12,5	M8	10	11	15,5	2,2
<b>BS110166</b>	10	16,5	M6	10	11	15,5	2,2
<b>BS110206</b>	10	20	M6	10	11	15,5	2,2
<b>BS110286</b>	10	28	M6	10	11	15,5	2,2
<b>BS113118.0</b>	10	11	M8	13	12,5	17	2,2
<b>BS113128.015</b>	10	12	M8	13	15	19,5	2,2
<b>BS113138.0</b>	10	13	M8	13	12,5	17	2,2
<b>BS113138.013</b>	10	13	M8	13	13	17,5	2,2
<b>BS113158.0</b>	10	15	M8	13	12,5	17	2,2
<b>BS113168.0</b>	10	16,5	M8	13	12,5	17	2,2
<b>BS113188.0</b>	10	18	M8	13	12,5	17	2,2
<b>BS113208.0</b>	10	20	M8	13	12,5	17	2,2
<b>BS113228.0</b>	10	22	M8	13	12,5	17	2,2
<b>BS113258.0</b>	10	25	M8	13	12,5	17	2,2
<b>BS113118</b>	13	11,5	M8	13	13	18,5	2,4
<b>BS113168</b>	13	16,5	M8	13	13	18,5	2,4
<b>BS113160</b>	13	16,5	M10	13	13	18,5	2,4
<b>BS113208</b>	13	20	M8	13	13	18,5	2,4
<b>BS113200</b>	13	20	M10	13	13	18,5	2,4
<b>BS117200</b>	16	20	M10	17	16	23	2,7
<b>BS117202</b>	16	20	M12	17	16	23	2,7
<b>BS119284</b>	19	28	M14	19	20	28,5	3
<b>BS119286</b>	19	28	M16	19	20	28,5	3

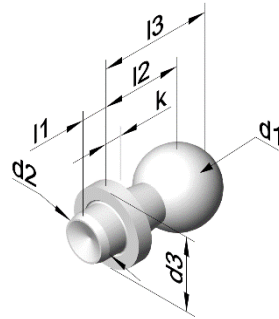


## BS2 - BALL STUD DIN71803 TYPE C



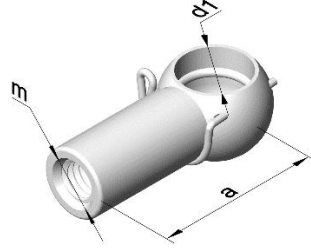
Code	d1	l1	m	d2	SW	l2	l3	k
<b>BS20684</b>	6	8	M4	6	5	8,5	9,2	2
<b>BS208104</b>	8	10,2	M4	8	7	9	12,5	2
<b>BS208105</b>	8	10,2	M5	8	7	9	12,5	2
<b>BS208106</b>	8	10,2	M6	8	7	9	12,5	2
<b>BS210126</b>	10	12,5	M6	10	8	11	15,5	2,2
<b>BS213158.0</b>	10	15	M8	13	11	12,5	17	2,4
<b>BS213200.0</b>	10	20	M10	13	11	12,5	17	2,4
<b>BS213158</b>	13	15	M8	13	11	13	18,5	2,4
<b>BS213168</b>	13	16,5	M8	13	11	13	18,5	2,4
<b>BS216150.3</b>	13	15	M10	16	13	16	21,1	2,7
<b>BS216200</b>	16	20	M10	16	16	16	23	2,7
<b>BS216202</b>	16	20	M12	16	16	16	23	2,7
<b>BS219284</b>	19	28	M14	19	16	20	28,5	3

## BS3 - BALL STUD DIN71803 TYPE B



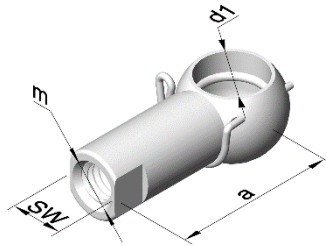
Code	d1	l1	m	d2	l2	l3	k
<b>BS30685.354</b>	6	3,5	4	6	8,5	9,2	2
<b>BS30809.45</b>	8	4	5	8	9	12,5	2
<b>BS30809.755</b>	8	7,5	5	8	9	12,5	2
<b>BS31011.456</b>	10	4,5	6	10	11	15,5	2,2
<b>BS31011.86</b>	10	8	6	10	11	15,5	2,2
<b>BS31313.58</b>	13	5	8	13	13	18,5	2,4
<b>BS31313.108</b>	13	10	8	13	13	18,5	2,4
<b>BS31616.610</b>	16	6	10	16	16	23	2,7
<b>BS31616.1310</b>	16	13	10	16	16	23	2,7
<b>BS31920.1214</b>	19	12	14	19	20	28,5	3
<b>BS31920.1814</b>	19	18	14	19	20	28,5	3

## BH1 - BALL HOUSING DIN71805



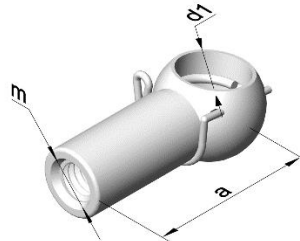
Code	d1	a	m
<i>BH106224</i>	6	22	M4
<i>BH108145</i>	8	14	M5
<i>BH108184</i>	8	18	M4
<i>BH108186</i>	8	18	M6
<i>BH108195</i>	8	19	M5
<i>BH108206</i>	8	20	M6
<i>BH108225</i>	8	22	M5
<i>BH108226</i>	8	22	M6
<i>BH110145</i>	10	14	M5
<i>BH110186</i>	10	18	M6
<i>BH110188</i>	10	18	M8
<i>BH110195</i>	10	19	M5
<i>BH110196</i>	10	19	M6
<i>BH110198</i>	10	19	M8
<i>BH110206</i>	10	20	M6
<i>BH110216</i>	10	21	M6
<i>BH110218</i>	10	21	M8
<i>BH110228</i>	10	22	M8
<i>BH110255</i>	10	25	M5
<i>BH110256</i>	10	25	M6
<i>BH110258</i>	10	25	M8
<i>BH110306</i>	10	30	M6
<i>BH110308</i>	10	30	M8
<i>BH110406</i>	10	40	M6
<i>BH113256</i>	13	25	M6
<i>BH113258</i>	13	25	M8
<i>BH113250</i>	13	25	M10
<i>BH113306</i>	13	30	M6
<i>BH113308</i>	13	30	M8
<i>BH113408</i>	13	40	M8
<i>BH116270</i>	16	27	M10
<i>BH116300</i>	16	30	M10
<i>BH116358</i>	16	35	M8
<i>BH116350</i>	16	35	M10
<i>BH116352</i>	16	35	M12
<i>BH119454</i>	19	45	M14

## BH2 - SW BALL HOUSING DIN71805



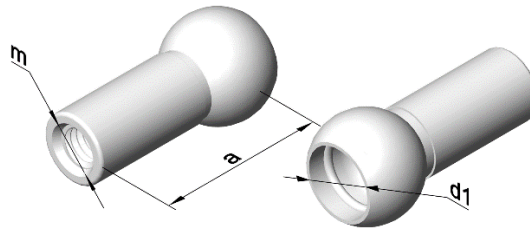
Code	d1	a	m	SW
<a href="#">BH206224</a>	6	22	M4	6
<a href="#">BH208225</a>	8	22	M5	6
<a href="#">BH210256</a>	10	25	M6	8
<a href="#">BH213308</a>	13	30	M8	11
<a href="#">BH216350</a>	16	35	M10	14
<a href="#">BH219454</a>	19	45	M14	19

## BH3 - ANGLED BALL HOUSING DIN71805



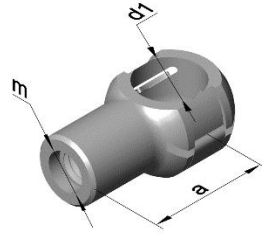
Code	Angle	d1	a	m
<a href="#">BH306224</a>	10°	6	22	M4
<a href="#">BH308225</a>	10°	8	22	M5
<a href="#">BH310256</a>	10°	10	25	M6
<a href="#">BH313308</a>	10°	13	30	M8
<a href="#">BH316350</a>	10°	16	35	M10
<a href="#">BH319454</a>	10°	19	45	M14

## BH4 - AXIAL BALL HOUSING DIN71805



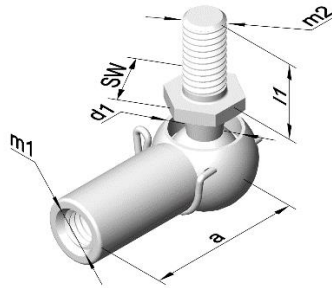
Code	d1	a	m
<a href="#">BH406224</a>	6	22	M4
<a href="#">BH408225</a>	8	22	M5
<a href="#">BH410256</a>	10	25	M6
<a href="#">BH413308</a>	13	30	M8
<a href="#">BH416350</a>	16	35	M10
<a href="#">BH419454</a>	19	45	M14

## BH5 - PALIO BALL HOUSING DIN71805



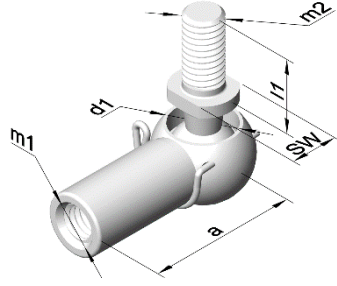
Code	d1	a	m
<a href="#">BH510186B</a>	10	18	M6
<a href="#">BH510195B</a>	10	19	M5
<a href="#">BH510196B</a>	10	19	M6
<a href="#">BH510198B</a>	10	19	M8
<a href="#">BH510256B</a>	10	25	M6

## BJ1 - BALL JOINT DIN71802 WITH HEXAGONAL BALL STUD



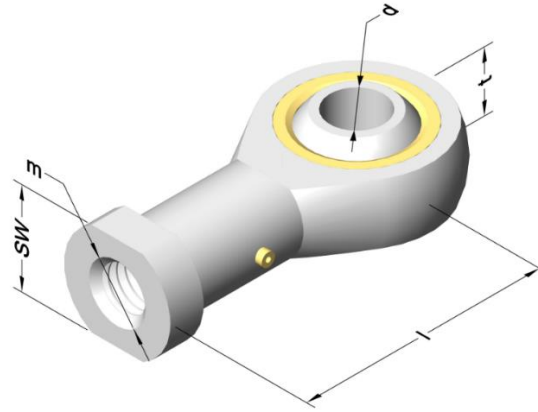
Code	d1	a	m1	l1	m2	SW
<a href="#">BJ106224.104</a>	6	22	M4	10,2	M4	8
<a href="#">BJ108184.105</a>	8	<b>18</b>	<b>M4</b>	10,2	M5	8
<a href="#">BJ108225.105</a>	8	22	M5	10,2	M5	8
<a href="#">BJ108225.106</a>	8	22	M5	10,2	<b>M6</b>	8
<a href="#">BJ108226.106</a>	8	22	<b>M6</b>	10,2	<b>M6</b>	8
<a href="#">BJ110186.126</a>	10	<b>18</b>	M6	12,5	M6	10
<a href="#">BJ110216.126</a>	10	<b>21</b>	M6	12,5	M6	10
<a href="#">BJ110216.138.0</a>	10	<b>21</b>	M6	<b>13</b>	<b>M8</b>	<b>13</b>
<a href="#">BJ110218.138</a>	10	<b>21</b>	<b>M8</b>	<b>13</b>	<b>M8</b>	<b>13</b>
<a href="#">BJ110256.126</a>	10	25	M6	12,5	M6	10
<a href="#">BJ110256.138.0</a>	10	25	M6	<b>13</b>	<b>M8</b>	<b>13</b>
<a href="#">BJ110258.138.0</a>	10	25	<b>M8</b>	<b>13</b>	<b>M8</b>	<b>13</b>
<a href="#">BJ110306.126</a>	10	<b>30</b>	M6	12,5	M6	10
<a href="#">BJ113258.258</a>	13	<b>25</b>	M8	<b>25</b>	M8	13
<a href="#">BJ113308.168</a>	13	30	M8	16,5	M8	13
<a href="#">BJ113408.168</a>	13	<b>40</b>	M8	16,5	M8	13
<a href="#">BJ116350.200</a>	16	35	M10	20	M10	17
<a href="#">BJ116352.202</a>	16	35	<b>M12</b>	20	<b>M12</b>	17
<a href="#">BJ119454.284</a>	19	45	M14	28	M14	19

# BJ2 - BALL JOINT DIN71802 WITH BALL STUD FORM C



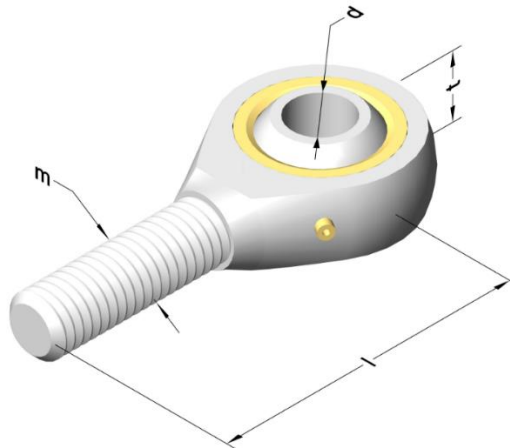
Code	d1	a	m1	l1	m2	SW
<a href="#">BJ206224.84</a>	6	22	M4	8	M4	5
<a href="#">BJ208184.104</a>	8	18	M4	10,2	M4	7
<a href="#">BJ208184.105</a>	8	18	M4	10,2	M5	7
<a href="#">BJ208225.105</a>	8	22	M5	10,2	M5	7
<a href="#">BJ208225.106</a>	8	22	M5	10,2	M6	7
<a href="#">BJ210188.128</a>	10	18	M8	12	M8	11
<a href="#">BJ210255.126</a>	10	25	M5	12,5	M6	8
<a href="#">BJ210256.126</a>	10	25	M6	12,5	M6	8
<a href="#">BJ210256.158</a>	10	25	M6	15	M8	11
<a href="#">BJ213258.168</a>	13	25	M8	16,5	M8	11
<a href="#">BJ213306.158</a>	13	30	M6	15	M8	11
<a href="#">BJ213308.168</a>	13	30	M8	16,5	M8	11
<a href="#">BJ216350.200</a>	16	35	M10	20	M10	13
<a href="#">BJ219454.284</a>	19	45	M14	28	M14	16

## DG1 - SPHERICAL ROD END



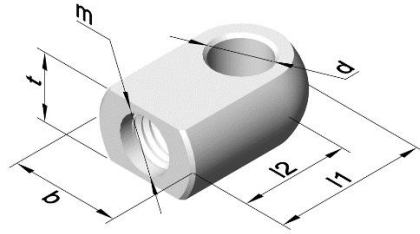
Code	Grease Nipple	d	l	m	t	SW
<a href="#">DG10527M5N</a>	Yes	5	27	M5	6	9
<a href="#">DG10527M5W</a>	No					
<a href="#">DG10630M6N</a>	Yes	6	30	M6	6,75	11
<a href="#">DG10630M6W</a>	No					
<a href="#">DG10836M8N</a>	Yes	8	36	M8	9	14
<a href="#">DG10836M8W</a>	No					
<a href="#">DG11043M10N</a>	Yes	10	43	M10	10,5	17
<a href="#">DG11043M10W</a>	No					
<a href="#">DG11250M12N</a>	Yes	12	50	M12	12	19
<a href="#">DG11250M12W</a>	No					
<a href="#">DG11457M14N</a>	Yes	14	57	M14	13,5	20,5
<a href="#">DG11457M14W</a>	No					

## DG2 - SPHERICAL ROD END WITH MALE THREAD



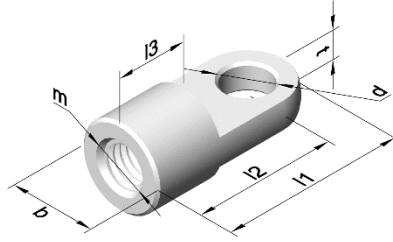
Code	Grease Nipple	d	l	m	t	SW
<a href="#">DG20533M5N</a>	Yes	5	27	M5	6	9
<a href="#">DG20533M5W</a>	No					
<a href="#">DG20636M6N</a>	Yes	6	30	M6	6,75	11
<a href="#">DG20636M6W</a>	No					
<a href="#">DG20842M8N</a>	Yes	8	36	M8	9	14
<a href="#">DG20842M8W</a>	No					
<a href="#">DG21048M10N</a>	Yes	10	43	M10	10,5	17
<a href="#">DG21048M10W</a>	No					
<a href="#">DG21254M12N</a>	Yes	12	50	M12	12	19
<a href="#">DG21254M12W</a>	No					
<a href="#">DG21460M14N</a>	Yes	14	57	M14	13,5	20,5
<a href="#">DG21460M14W</a>	No					

## EY1 - EYELET



Code	b	d	l2	l1	m	t
<a href="#">EY115168.8T10</a>	15	8,1	16	23,5	M8	10
<a href="#">EY116166.6T10</a>	16	6,1	16	24	M6	10
<a href="#">EY116168.6T10</a>	16	6,1	16	24	M8	10
<a href="#">EY116186.6T10</a>	16	6,1	18	26	M6	10
<a href="#">EY116166.8T10</a>	16	8,1	16	24	M6	10
<a href="#">EY116168.8T10</a>	16	8,1	16	24	M8	10
<a href="#">EY116168.8T12</a>	16	8,1	16	24	M8	12
<a href="#">EY116186.8T10</a>	16	8,1	18	26	M6	10
<a href="#">EY116188.8T10</a>	16	8,1	18	26	M8	10
<a href="#">EY116188.8T12</a>	16	8,1	18	26	M8	12
<a href="#">EY116206.8T10</a>	16	8,1	20	28	M6	10
<a href="#">EY116208.8T10</a>	16	8,1	20	28	M8	10
<a href="#">EY116208.8T12</a>	16	8,1	20	28	M8	12
<a href="#">EY116228.8T12</a>	16	8,1	22	30	M8	12
<a href="#">EY116168.0T10</a>	16	10,1	16	24	M8	10
<a href="#">EY116168.0T12</a>	16	10,1	16	24	M8	12
<a href="#">EY116188.0T10</a>	16	10,1	18	26	M8	10
<a href="#">EY116180.0T12</a>	16	10,1	18	26	M10	12
<a href="#">EY116208.0T10</a>	16	10,1	20	28	M8	10
<a href="#">EY116208.0T12</a>	16	10,1	20	28	M8	12
<a href="#">EY116220.0T12</a>	16	10,1	22	30	M10	12
<a href="#">EY120188.8T10</a>	20	8,1	18	28	M8	10
<a href="#">EY120208.8T10</a>	20	8,1	20	30	M8	10
<a href="#">EY120188.0T10</a>	20	10,1	18	28	M8	10
<a href="#">EY120208.0T10</a>	20	10,1	20	30	M8	10
<a href="#">EY120298.0T12</a>	20	10,1	29	39	M8	12

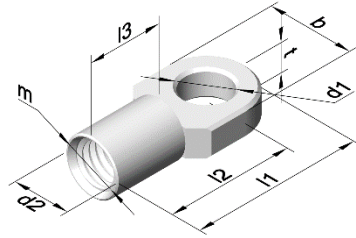
## EY2 - EYELET



Code	b	d	l2	l1	m	t	l3
<a href="#">EY208114.4T4</a>	8	4,1	11	15	M6	4	6
<a href="#">EY208124.4T4</a>	8	4,1	12	16	M4	4	7
<a href="#">EY210135.6T6</a>	10	6,1	13	18	M5	6	6,5
<a href="#">EY210165.6T6</a>	10	6,1	16	21	M5	6	8,1
<a href="#">EY212165.8T5</a>	12	8,1	16	22	M5	5	9,5
<a href="#">EY212205.8T3</a>	12	8,1	20	26	M5	3	9,5
<a href="#">EY212205.8T5</a>	12	8,1	20	26	M5	5	9,5
<a href="#">EY214198.6T10</a>	14	6,1	19	26	M8	10	7
<a href="#">EY214198.8T8</a>	14	8,1	19	26	M8	8	12
<a href="#">EY214198.8T10</a>	14	8,1	19	26	M8	10	6
<a href="#">EY215206.8T5</a>	15	8,1	20	27,5	M6	5	11,5
<a href="#">EY215248.8T8</a>	15	8,1	24	31,5	M8	8	11,5
<a href="#">EY215256.8T5</a>	15	8,1	25	32,5	M6	5	12,5
<a href="#">EY215258.8T5</a>	15	8,1	25	32,5	M8	5	12,5
<a href="#">EY215258.8T8</a>	15	8,1	25	32,5	M8	8	12,5
<a href="#">EY215288.8T85</a>	15	8,1	28	35,5	M8	8,5	16
<a href="#">EY216226.8T10</a>	16	8,1	22	30	M6	10	10
<a href="#">EY216248.8T8</a>	16	8,1	24	32	M8	8	11,5
<a href="#">EY217300.8T10</a>	17	8,1	30	38	M10	10	18,1
<a href="#">EY218258.8T10</a>	18	8,1	25	34	M8	10	12,5
<a href="#">EY218270.8T10</a>	18	8,1	27	36	M10	10	14,5
<a href="#">EY218308.8T10</a>	18	8,1	30	39	M8	10	15
<a href="#">EY218300.8T10</a>	18	8,1	30	39	M10	10	15
<a href="#">EY218350.8T10</a>	18	8,1	35	44	M10	10	19
<a href="#">EY218258.0T10</a>	18	10,1	25	34	M8	10	12,5
<a href="#">EY218278.0T10</a>	18	10,1	27	36	M8	10	13
<a href="#">EY218270.0T10</a>	18	10,1	27	36	M10	10	14,5
<a href="#">EY218300.0T10</a>	18	10,1	30	39	M10	10	15
<a href="#">EY220250.8T12</a>	20	8,1	25	35	M10	12	12
<a href="#">EY218350.8T10</a>	20	8,1	35	45	M10	10	20
<a href="#">EY220220.0T12</a>	20	10,1	22	32	M10	12	10
<a href="#">EY220248.0T9</a>	20	10,1	24	34	M8	9	8
<a href="#">EY220250.0T12</a>	20	10,1	25	35	M10	12	12
<a href="#">EY220300.0T10</a>	20	10,1	30	40	M10	10	15
<a href="#">EY220300.0T12</a>	20	10,1	30	40	M10	12	15
<a href="#">EY220358.0T10</a>	20	10,1	35	45	M8	10	20
<a href="#">EY220350.0T10</a>	20	10,1	35	45	M10	10	20
<a href="#">EY220350.0T10</a>	20	10,1	35	45	M10	12	20
<a href="#">EY220400.0T10</a>	20	10,1	40	50	M10	10	20
<a href="#">EY220300.2T10</a>	20	12,1	30	40	M10	10	15
<a href="#">EY220350.2T12</a>	20	12,1	35	45	M10	12	20
<a href="#">EY225424F.4T14</a>	25	14,1	42	55	M14x1,5	14	20

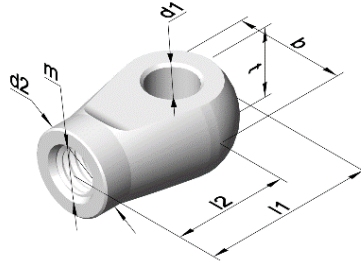


## EY3 - EYELET



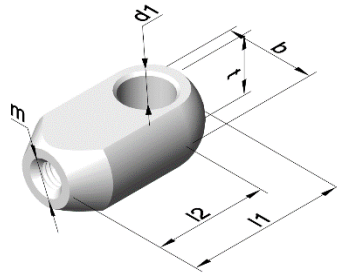
Code	b	d1	l2	l1	m	t	l3	d2
<a href="#">EY313156.6T3</a>	13	6,1	15	21,5	M6	3	9,3	10
<a href="#">EY313185.6T3</a>	13	6,1	18	24,5	M5	3	10	9
<a href="#">EY313186.6T3</a>	13	6,1	18	24,5	M6	3	10	9
<a href="#">EY313186.8T3</a>	13	8,1	18	24,5	M6	3	10	9
<a href="#">EY313226.8T3</a>	13	8,1	22	28,5	M6	3	12	9
<a href="#">EY315186.6T5</a>	15	6,1	18	25,5	M6	5	11	9
<a href="#">EY315226.6T3</a>	15	6,1	22	29,5	M6	3	13	9
<a href="#">EY315236.6T5</a>	15	6,1	23	30,5	M6	5	14	10
<a href="#">EY315256.6T5</a>	15	6,1	25	32,5	M6	5	14	9
<a href="#">EY315286.6T5</a>	15	6,1	28	35,5	M6	5	14	10
<a href="#">EY315288.6T5</a>	15	6,1	28	35,5	M8	5	14	10
<a href="#">EY315168.8T5</a>	15	8,1	16	23,5	M8	5	11	11
<a href="#">EY315186.8T5</a>	15	8,1	18	25,5	M6	5	11	9
<a href="#">EY315206.8T5</a>	15	8,1	20	27,5	M6	5	12	9
<a href="#">EY315208.8T5</a>	15	8,1	20	27,5	M8	5	11	11
<a href="#">EY315226.8T5</a>	15	8,1	22	29,5	M6	5	13	9
<a href="#">EY315228.8T5</a>	15	8,1	22	29,5	M8	5	13	10
<a href="#">EY315236.8T5</a>	15	8,1	23	30,5	M6	5	14	10
<a href="#">EY315238.8T5</a>	15	8,1	23	30,5	M8	5	14	10
<a href="#">EY315256.8T5</a>	15	8,1	25	32,5	M6	5	14	9
<a href="#">EY315286.8T5</a>	15	8,1	28	35,5	M6	5	14	10
<a href="#">EY315288.8T5</a>	15	8,1	28	35,5	M8	5	14	10
<a href="#">EY315288.8T8</a>	15	8,1	28	35,5	M8	8	14	10
<a href="#">EY315288.8T10</a>	15	8,1	28	35,5	M8	10	14	10
<a href="#">EY315306.8T5</a>	15	8,1	30	37,5	M6	5	14,5	11
<a href="#">EY315308.8T5</a>	15	8,1	30	37,5	M8	5	14,5	11
<a href="#">EY315308.8T5</a>	15	10,1	25	32,5	M6	5	14	9
<a href="#">EY315258.0T5</a>	15	10,1	25	32,5	M8	5	14	11
<a href="#">EY315286.0T5</a>	15	10,1	28	35,5	M6	5	14	10
<a href="#">EY315288.0T8</a>	15	10,1	28	35,5	M8	8	14	10
<a href="#">EY315288.0T10</a>	15	10,1	28	35,5	M8	10	14	10
<a href="#">EY316288.8T5</a>	16	8,1	28	36	M8	5	14	10
<a href="#">EY318288.0T5</a>	18	10,1	28	37	M8	5	14	10
<a href="#">EY320308.3T44</a>	20	13,1	30	40	M8	4,4	14	10

## EY4 - EYELET



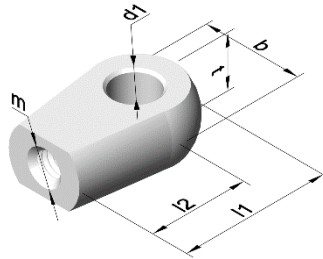
Code	b	d1	l2	l1	m	t	d2
<a href="#">EY412248.8T5</a>	12	8,1	24,5	30	M8	5	10
<a href="#">EY414198.8T10</a>	14	8,1	19	26	M8	10	12
<a href="#">EY417258.8T10</a>	17	8,1	25	33,5	M8	10	14
<a href="#">EY419208.8T12</a>	19	8,1	20	29,5	M8	12	14
<a href="#">EY419226.8T10</a>	19	8,1	22	31,5	M8	10	14
<a href="#">EY419228.0T10</a>	19	10,1	22	31,5	M8	10	14

## EY5 - EYELET



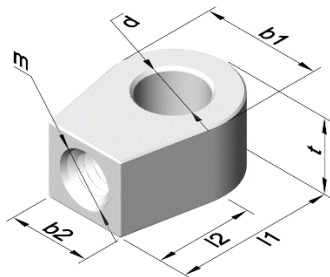
Code	b	d1	l2	l1	m	t
<a href="#">EY515195.8T10</a>	15	8,1	19	26,5	M5	10
<a href="#">EY515198.8T10</a>	15	8,1	19	26,5	M8	10
<a href="#">EY515198.0T10</a>	15	10,1	19	26,5	M8	10

## EY6 - EYELET



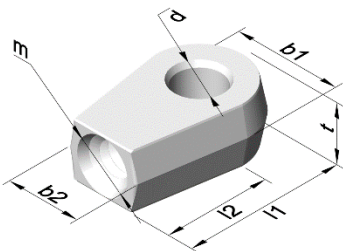
Code	b	d1	l2	l1	m	t
<a href="#">EY618186.8T10</a>	18	8,1	18	27	M6	10
<a href="#">EY618188.8T10</a>	18	8,1	18	27	M8	10
<a href="#">EY618188.0T10</a>	18	10,1	18	27	M8	10

## ZK1 - ZAMAC EYELET



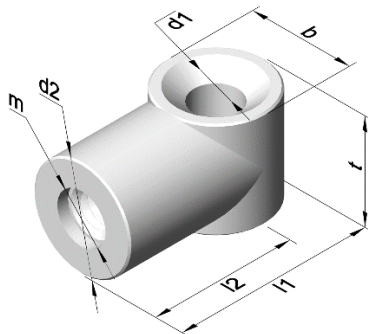
Code	d	l2	l1	m	t	b1	b2
<a href="#">ZK119166.6T12</a>	6,1	16	25,5	M6	12	19	13
<a href="#">ZK119168.6T12</a>	6,1	16	25,5	M8	12	19	13
<a href="#">ZK119168.8T12</a>	8,1	16	25,5	M8	12	19	13
<a href="#">ZK119160.8T12</a>	8,1	16	25,5	M10	12	19	13
<a href="#">ZK119168.0T12</a>	10,1	16	25,5	M8	12	19	13
<a href="#">ZK119160.0T12</a>	10,1	16	25,5	M10	12	19	13
<a href="#">ZK119168.2T12</a>	12,1	16	25,5	M8	12	19	13
<a href="#">ZK119160.2T12</a>	12,1	16	25,5	M10	12	19	13

## ZK2 - ZAMAC EYELET



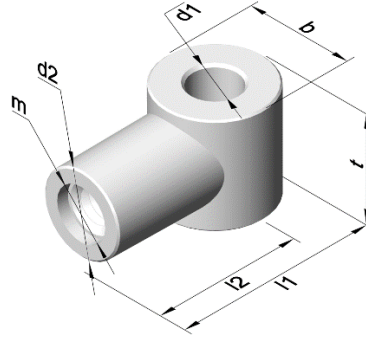
Code	d	l2	l1	m	t	b1	b2
<a href="#">ZK218186.6T10</a>	6,1	18	27	M6	10	18	12,4
<a href="#">ZK119168.6T12</a>	6,1	18	27	M8	10	18	12,4
<a href="#">ZK218186.8T10</a>	8,1	18	27	M6	10	18	12,4
<a href="#">ZK218188.8T10</a>	8,1	18	27	M8	10	18	12,4
<a href="#">ZK218186.0T10</a>	10,1	18	27	M6	10	18	12,4
<a href="#">ZK218188.0T10</a>	10,1	18	27	M8	10	18	12,4

## ZK3 - ZAMAC EYELET



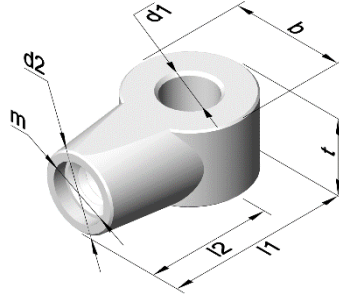
Code	d1	l2	l1	m	t	b	d2
<a href="#">ZK318258.8T18</a>	8,1	25	34	M8	18	18	18
<a href="#">ZK318250.8T18</a>	8,1	25	34	M10	18	18	18
<a href="#">ZK318258.0T18</a>	10,1	25	34	M8	18	18	18
<a href="#">ZK318250.0T18</a>	10,1	25	34	M10	18	18	18

## ZK4 - ZAMAC EYELET



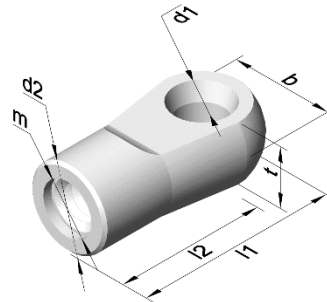
Code	d1	l2	l1	m	t	b	d2
<a href="#">ZK418258.8T18</a>	8,1	25	34	M8	18	18	14
<a href="#">ZK418250.8T18</a>	8,1	25	34	M10	18	18	14
<a href="#">ZK418258.0T18</a>	10,1	25	34	M8	18	18	14
<a href="#">ZK418250.0T18</a>	10,1	25	34	M10	18	18	14

## ZK5 - ZAMAC EYELET



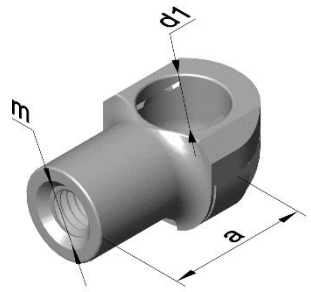
Code	d1	l2	l1	m	t	b	d2
<a href="#">ZK518208.8T12</a>	8,1	20	29	M8	12	18	12
<a href="#">ZK518208.0T12</a>	10,1	20	29	M8	12	18	12
<a href="#">ZK518208.2T12</a>	12,1	20	29	M8	12	18	12

## ZK6 - ZAMAC EYELET



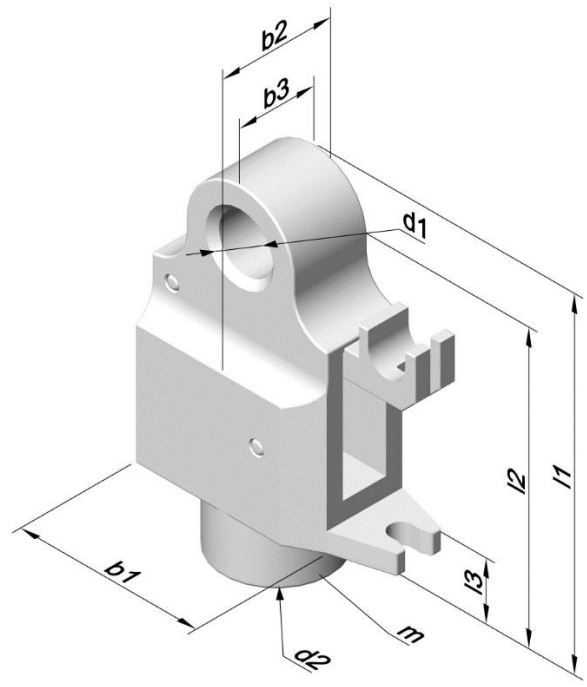
Code	d1	l2	l1	m	t	b	d2
<a href="#">ZK616256.6T5</a>	6,1	25	32,5	M6	5	16	13
<a href="#">ZK616258.6T5</a>	6,1	25	32,5	M8	5	16	13
<a href="#">ZK616256.8T5</a>	8,1	25	32,5	M6	5	16	13
<a href="#">ZK616258.8T5</a>	8,1	25	32,5	M8	5	16	13
<a href="#">ZK617256.8T10</a>	8,1	25	33,5	M6	10	17	14
<a href="#">ZK617258.8T10</a>	8,1	25	33,5	M8	10	17	14
<a href="#">ZK617256.0T10</a>	10,1	25	33,5	M6	10	17	14
<a href="#">ZK617258.0T10</a>	10,1	25	33,5	M8	10	17	14

## ZK7 - ZAMAC BALL HOUSING



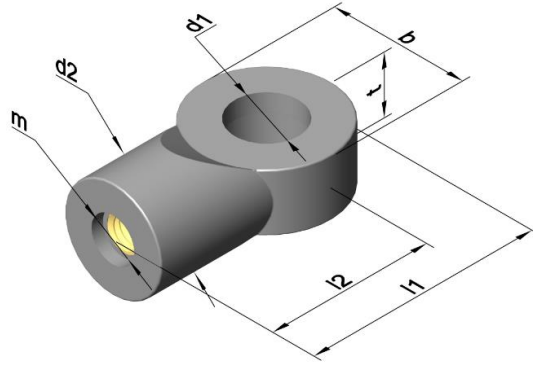
Code	d1	a	m	Surface
ZK710186B	10	18	M6	Zn/Black

## ZK8 - RELEASE SYSTEM HEAD FOR BLOCKABLE GAS SPRINGS



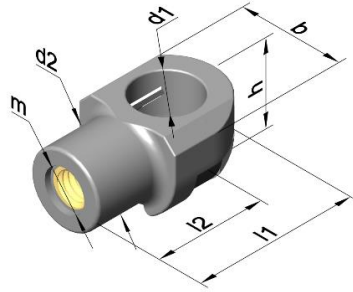
Code	d1	b3	l2	l1	l3	d2	b1	b2	m
ZK808410F	8,1	11	41	49	8	15,9	26	16	M10x1

## PL1 - PLASTIC BALL HOUSING



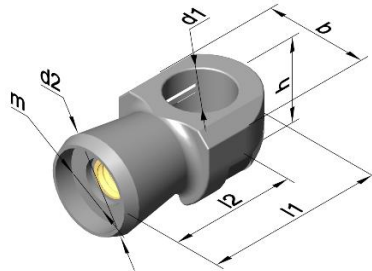
Code	d1	l2	l1	m	t	b	d2	Thread
<b>PL111276M</b>	11	27	38	M6	10	22,5	17	Metal
<b>PL111278M</b>	11	27	38	M8	10	22,5	17	Metal

## PL2 - PLASTIC BALL HOUSING



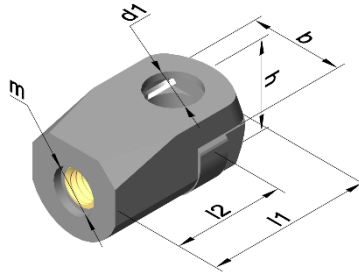
Code	d1	l2	l1	m	h	b	d2	Thread
<b>PL210186</b>	10	18	26,5	M6	14	16,7	12	Plastic
<b>PL210186M</b>	10	18	26,5	M6	14	16,7	12	Metal
<b>PL210186MG</b>	10	18	26,5	M6	14	16,7	12	Metal

## PL3 - PLASTIC BALL HOUSING



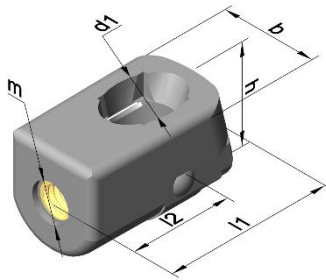
Code	d1	l2	l1	m	h	b	d2	Thread
<b>PL210216M</b>	10	21	29,5	M6	14	16,7	12	Metal

## PL3 - PLASTIC BALL HOUSING



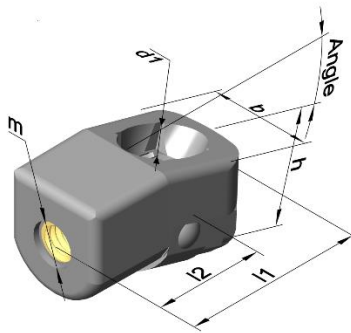
Code	d1	l2	l1	m	h	b	Thread
<b>PL308186M</b>	8	18	26	M6	13,5	15	Metal

## PL4 - PLASTIC BALL HOUSING



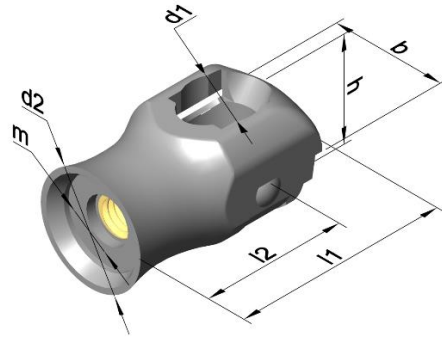
Code	d1	l2	l1	m	h	b	Thread
<b>PL410186</b>	10	18	29,5	M6	17,3	17	Plastic
<b>PL410186M</b>	10	18	29,5	M6	17,3	17	Metal
<b>PL410188</b>	10	18	29,5	M8	17,3	17	Plastic
<b>PL410188M</b>	10	18	29,5	M8	17,3	17	Metal
<b>PL410206</b>	10	20	31,5	M6	17,3	17	Plastic
<b>PL410208</b>	10	20	31,5	M8	17,3	17	Plastic

## PL5 - ANGLED PLASTIC BALL HOUSING



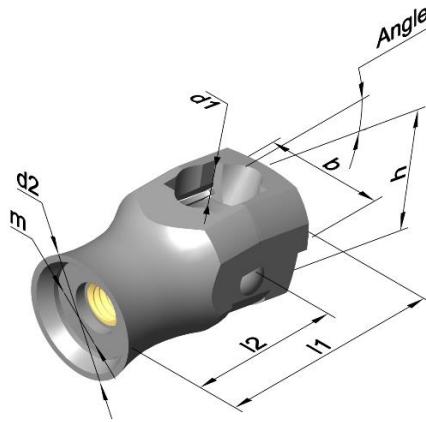
Code	Angle	d1	l2	l1	m	h	b	Thread
<b>PL510186M.A10</b>	10°	10	18	29,5	M6	17,3	17	Metal
<b>PL510188M.A10</b>	10°	10	18	29,5	M8	17,3	17	Metal
<b>PL510186M.A16</b>	16°	10	18	30,5	M6	17,3	17	Metal
<b>PL510188M.A16</b>	16°	10	18	30,5	M8	17,3	17	Metal

## PL6 - PLASTIC BALL HOUSING



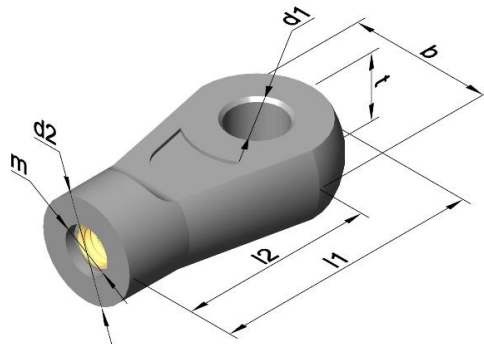
Code	d1	l2	l1	m	h	b	d2	Thread
<a href="#">PL610226M</a>	10	22	32,5	M6	17	17,5	16,8	Metal
<a href="#">PL610228M</a>	10	22	32,5	M8	17	17,5	16,8	Metal

## PL7 - ANGLED PLASTIC BALL HOUSING



Code	Angle	d1	l2	l1	m	h	b	d2	Thread
<a href="#">PL710226M.A10</a>	10°	10	22	32,5	M6	17	17,5	16,8	Metal
<a href="#">PL710226M.A16</a>	16°	10	22	33,5	M6	17	17,5	16,8	Metal

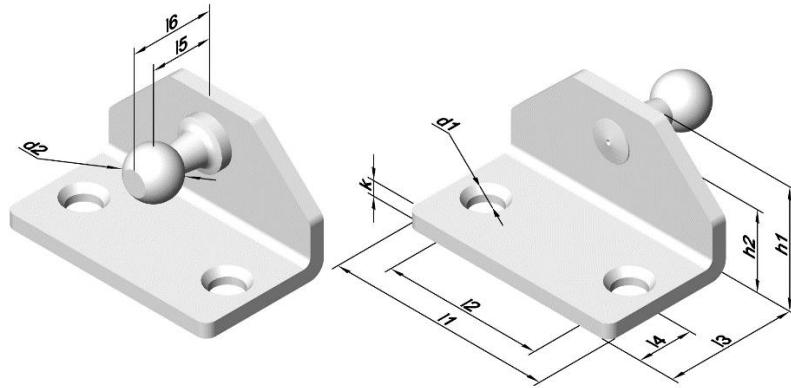
## PL8 - PLASTIC EYELET



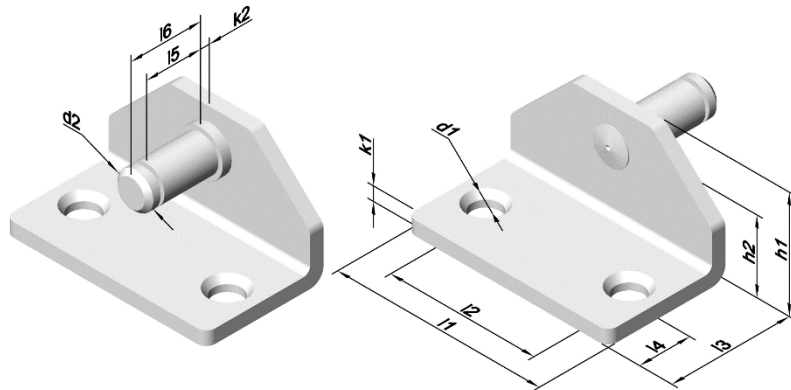
Code	d1	l2	l1	m	t	b	d2	Thread
<a href="#">PL8296M.8T10</a>	8	29	39	M6	10	21	14,5	Metal
<a href="#">PL8296M.0T10</a>	10	29	39	M6	10	21	14,5	Metal



# BR1001 - L-SHAPED BRACKET WITH MILLED HOLES

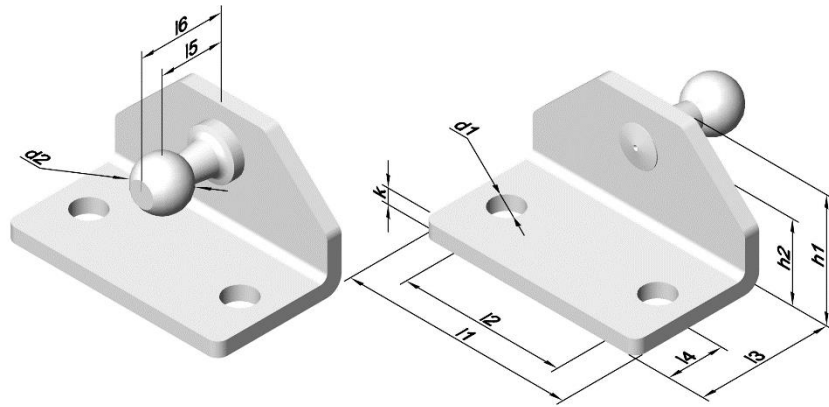


	Code	d2	l5	l6	l1	l2	l4	l3	h1	h2	k	d1
I – Stud turned inside O – Stud turned outside	<b>BR100102I</b>	10	11	15,5								
	<b>BR100102O</b>				45	32	11,2	26,2	24	16	3	6,2
	<b>BR100103I</b>	10	12,5	17								
	<b>BR100103O</b>											
	<b>BR100104I</b>	13	13	18,5								
	<b>BR100104O</b>											

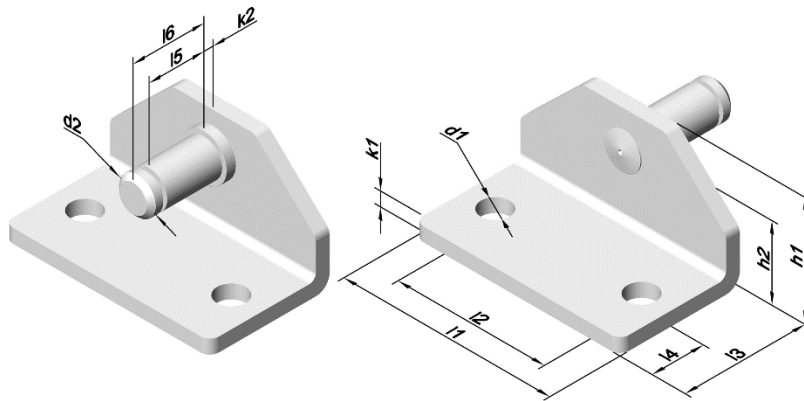


	Code	d2	l5	l6	k2	l1	l2	l4	l3	h1	h2	k1	d1
I – Stud turned inside O – Stud turned outside	<b>BR100106I</b>	6	8	11	2								
	<b>BR100106O</b>					45	32	11,2	26,2	24	16	3	6,2
	<b>BR100107I</b>	8	12	15,5	2								
	<b>BR100107O</b>												

# BR1011 - L-SHAPED BRACKET WITH UNMILLED HOLES

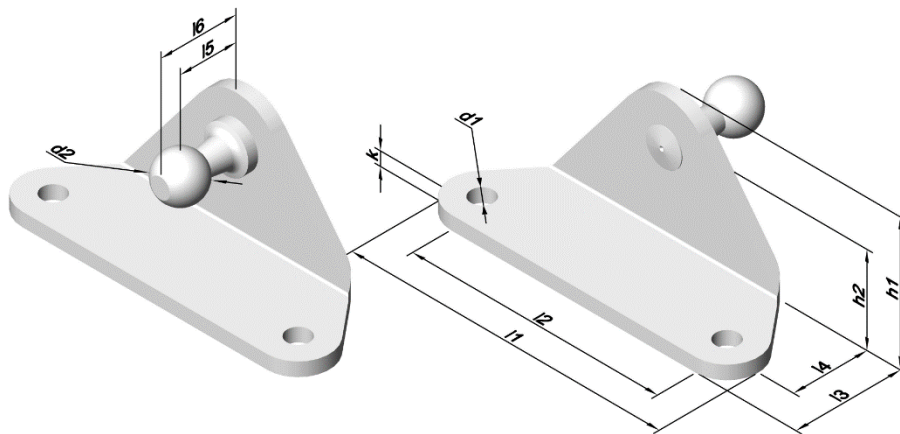


	Code	d2	l5	l6	l1	l2	l4	l3	h1	h2	k	d1
I – Stud turned inside O – Stud turned outside	<b>BR101102I</b>	10	11	15,5								
	<b>BR101102O</b>											
	<b>BR101103I</b>	10	12,5	17	45	32	11,2	26,2	24	16	3	6,2
	<b>BR101103O</b>											
	<b>BR101104I</b>	13	13	18,5								
	<b>BR101104O</b>											

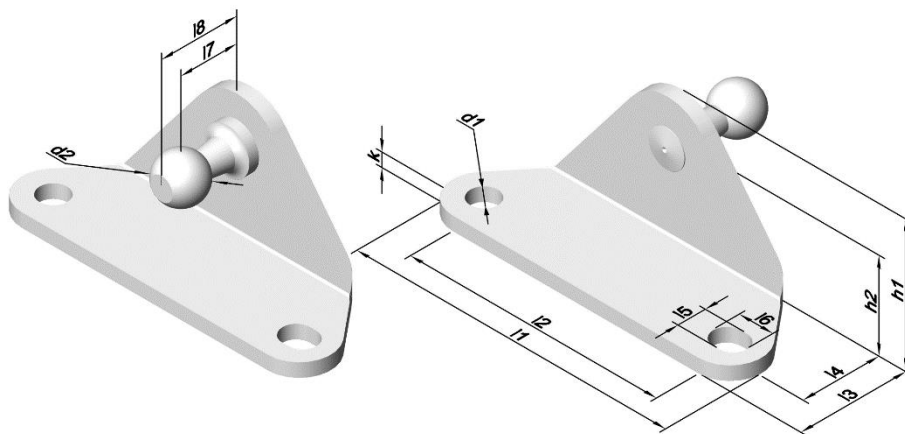


	Code	d2	l5	l6	k2	l1	l2	l4	l3	h1	h2	k1	d1
I – Stud turned inside O – Stud turned outside	<b>BR101106I</b>	6	8	11	2								
	<b>BR101106O</b>												
	<b>BR101107I</b>	8	12	15,5	2	45	32	11,2	26,2	24	16	3	6,2
	<b>BR101107O</b>												

# BR2001 - L-SHAPED BRACKET WITH TWO HOLES

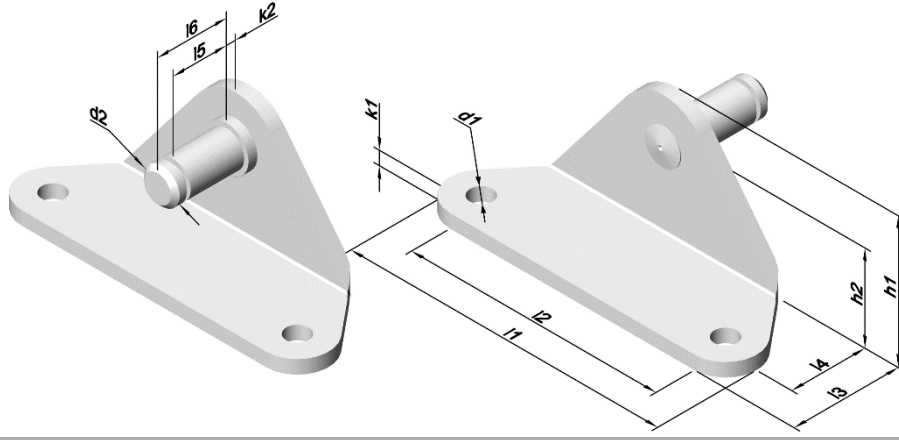


	Code	d2	l5	l6	l1	l2	l3	l4	h1	h2	k	d1
I – Stud turned inside O – Stud turned outside	<i>BR200101I</i> <i>BR200101O</i>	8	11	14,5								
	<i>BR200102I</i> <i>BR200102O</i>	10	11	15,5	69	55	23,5	16,5	29,5	19,5	3	5
	<i>BR200103I</i> <i>BR200103O</i>	10	12,5	17								
	<i>BR200104I</i> <i>BR200104O</i>	13	13	18,5								
	<i>BR201101I</i> <i>BR201101O</i>	8	11	14,5								
	<i>BR201102I</i> <i>BR201102O</i>	10	11	15,5	69	55	23,5	16,5	29,5	19,5	3	6,1
	<i>BR201103I</i> <i>BR201103O</i>	10	12,5	17								
	<i>BR201104I</i> <i>BR201104O</i>	13	13	18,5								

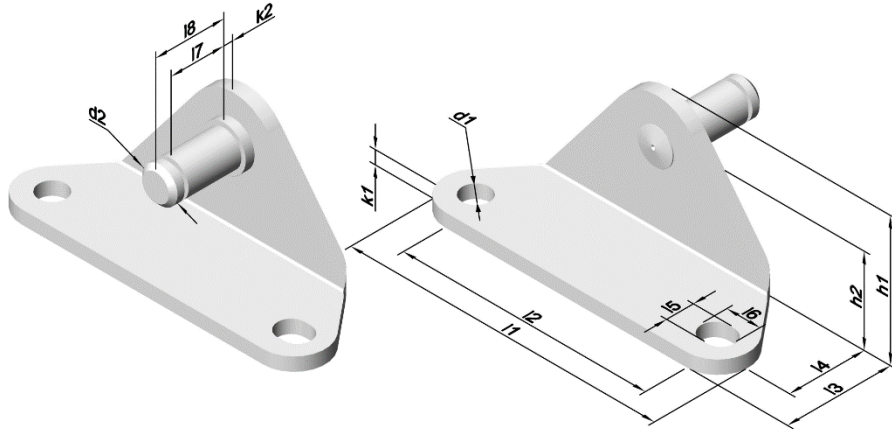


	Code	d2	l7	l8	l1	l2	l3	l4	h1	h2	k	d1	l5	l6
I – Stud turned inside O – Stud turned outside	<i>BR202101I</i> <i>BR202101O</i>	8	11	14,5										
	<i>BR202102I</i> <i>BR202102O</i>	10	11	15,5	69	55	23,5	16,5	29,5	19,5	3	6,1	6,1	7,5
	<i>BR202103I</i> <i>BR202103O</i>	10	12,5	17										
	<i>BR202104I</i> <i>BR202104O</i>	13	13	18,5										

# BR2001 - L-SHAPED BRACKET WITH TWO HOLES

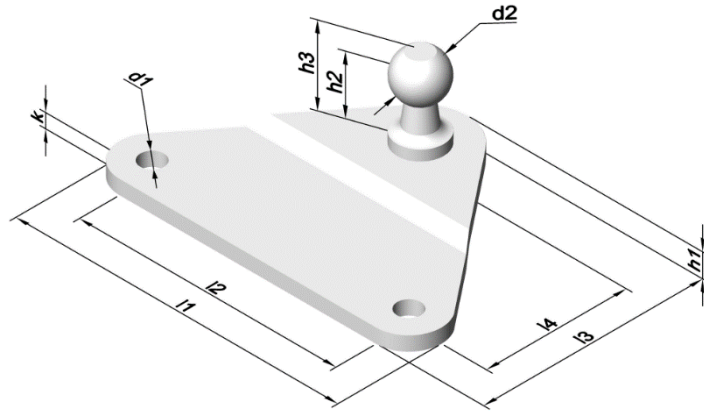


Code	d2	l5	l6	k2	l1	l2	l3	l4	h1	h2	k1	d1
<i>I</i> - Stud turned inside												
<i>O</i> - Stud turned outside												
<i>BR200106I</i>	6	8	11	2	69	55	23,5	16,5	29,5	19,5	3	5
<i>BR200106O</i>												
<i>BR200107I</i>	8	12	15,5	2	69	55	23,5	16,5	29,5	19,5	3	6,1
<i>BR200107O</i>												
<i>BR201106I</i>	6	8	11	2	69	55	23,5	16,5	29,5	19,5	3	6,1
<i>BR201106O</i>												
<i>BR201107I</i>	8	12	15,5	2	69	55	23,5	16,5	29,5	19,5	3	6,1
<i>BR201107O</i>												

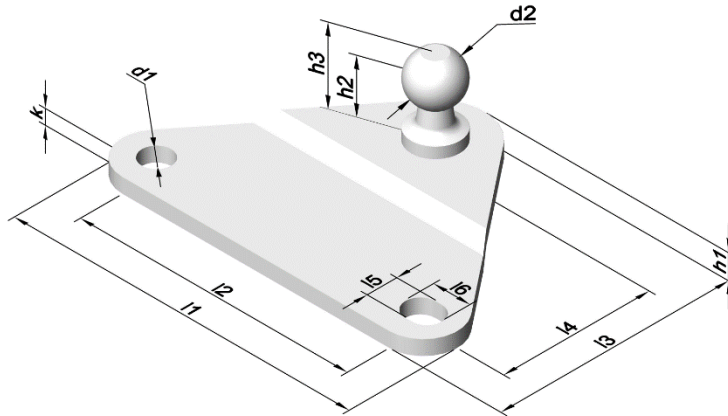


Code	d2	l7	l8	k2	l1	l2	l3	l4	h1	h2	k1	d1	l5	l6
<i>I</i> - Stud turned inside														
<i>O</i> - Stud turned outside														
<i>BR202106I</i>	6	8	11	2	69	55	23,5	16,5	29,5	19,5	3	6,1	6,1	7,5
<i>BR202106O</i>														
<i>BR202107I</i>	8	12	15,5	2	69	55	23,5	16,5	29,5	19,5	3	6,1	6,1	7,5
<i>BR202107O</i>														

# BR2001 - Z-SHAPED BRACKET WITH TWO HOLES

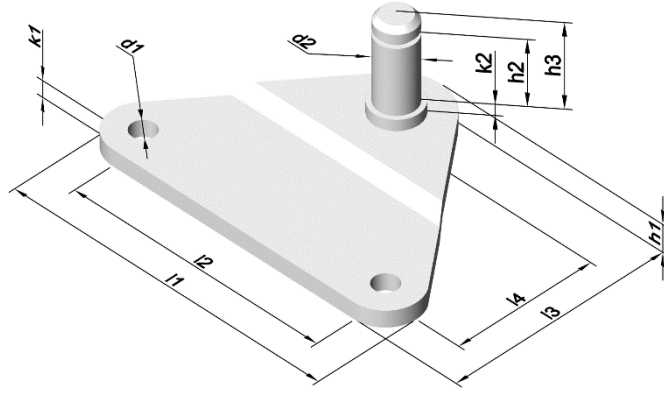


Code	d2	h2	h3	l1	l2	l3	l4	h1	k	d1
BR200101	8	11	14,5	69	55	47	30	5	3	5
BR200102	10	11	15,5							
BR200103	10	12,5	17							
BR200104	13	13	18,5							
BR201101	8	11	14,5	69	55	47	30	5	3	6,1
BR201102	10	11	15,5							
BR201103	10	12,5	17							
BR201104	13	13	18,5							

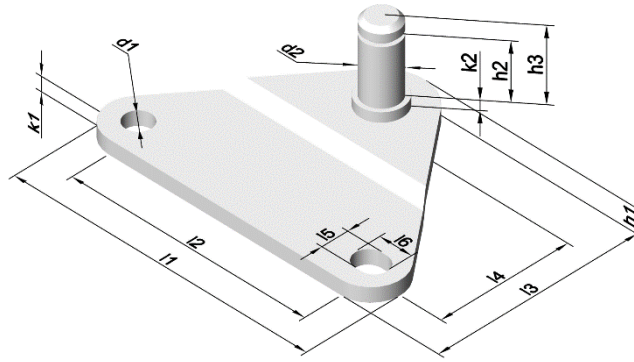


Code	d2	h2	h3	l1	l2	l3	l4	h1	k	d1	l5	l6
BR202101	8	11	14,5	69	55	47	30	5	3	6,1	6,1	7,5
BR202102	10	11	15,5									
BR202103	10	12,5	17									
BR202104	13	13	18,5									

# BR2001 - Z-SHAPED BRACKET WITH TWO HOLES

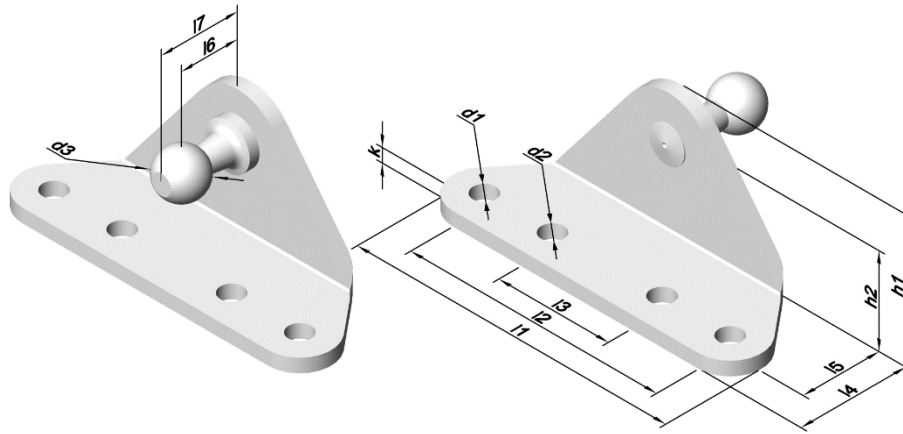


Code	d2	h2	h3	k2	l1	l2	l3	l4	h1	k1	d1
BR200106	6	8	11	2	69	55	47	30	5	3	5
BR200107	8	12	15,5	2							
BR201106	6	8	11	2	69	55	47	30	5	3	6,1
BR201107	8	12	15,5	2							

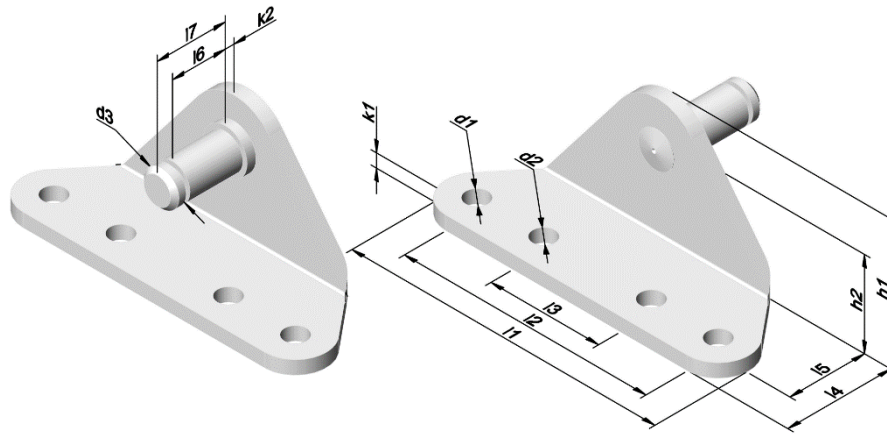


Code	d2	h2	h3	k2	l1	l2	l3	l4	h1	k1	d1	l5	l6
BR202106	6	8	11	2	69	55	47	30	5	3	6,1	6,1	7,5
BR202107	8	12	15,5	2									

# BR2002 - L-SHAPED BRACKET WITH FOUR HOLES

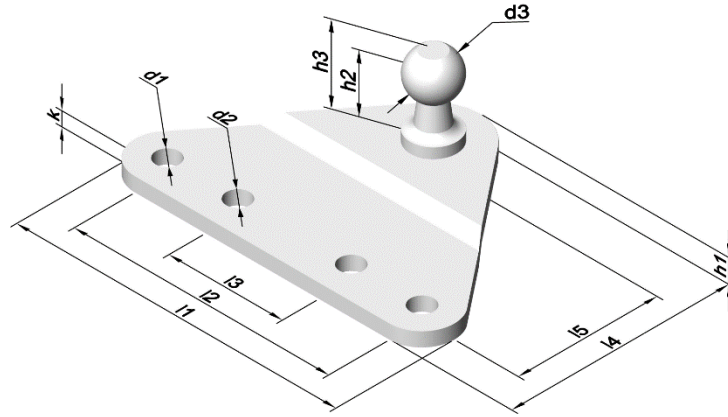


	Code	d3	l5	l6	l1	l2	l3	l4	l5	h1	h2	k	d1	d2
I – Stud turned inside O – Stud turned outside	<i>BR200201I</i> <i>BR200201O</i>	8	11	14,5										
	<i>BR200202I</i> <i>BR200202O</i>	10	11	15,5										
	<i>BR200203I</i> <i>BR200203O</i>	10	12,5	17	69	55	24,5	23,5	16,5	29,5	19,5	3	5	5
	<i>BR200204I</i> <i>BR200204O</i>	13	13	18,5										
	<i>BR201201I</i> <i>BR201201O</i>	8	11	14,5										
	<i>BR201202I</i> <i>BR201202O</i>	10	11	15,5										
	<i>BR201203I</i> <i>BR201203O</i>	10	12,5	17	69	55	24,5	23,5	16,5	29,5	19,5	3	4,3	6,5
	<i>BR201204I</i> <i>BR201204O</i>	13	13	18,5										

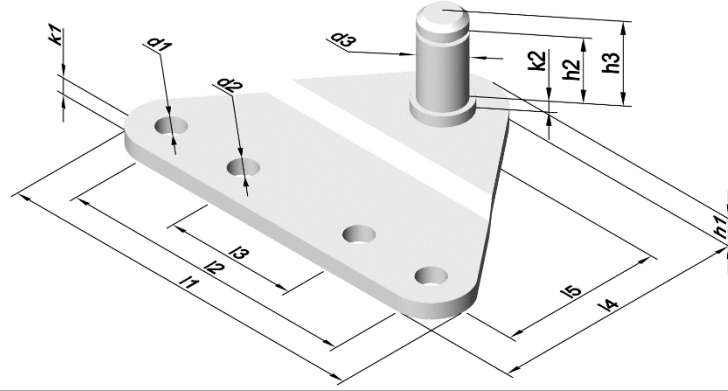


	Code	d3	l6	l7	k2	l1	l2	l3	l4	l5	h1	h2	k1	d1	d2
I – Stud turned inside O – Stud turned outside	<i>BR200206I</i> <i>BR200206O</i>	6	8	11	2										
	<i>BR200207I</i> <i>BR200207O</i>	8	12	15,5	2	69	55	24,5	23,5	16,5	29,5	19,5	3	5	5
	<i>BR201206I</i> <i>BR201206O</i>	6	8	11	2										
	<i>BR201207I</i> <i>BR201207O</i>	8	12	15,5	2	69	55	24,5	23,5	16,5	29,5	19,5	3	4,3	6,5

# BR2002 - Z-SHAPED BRACKET WITH FOUR HOLES



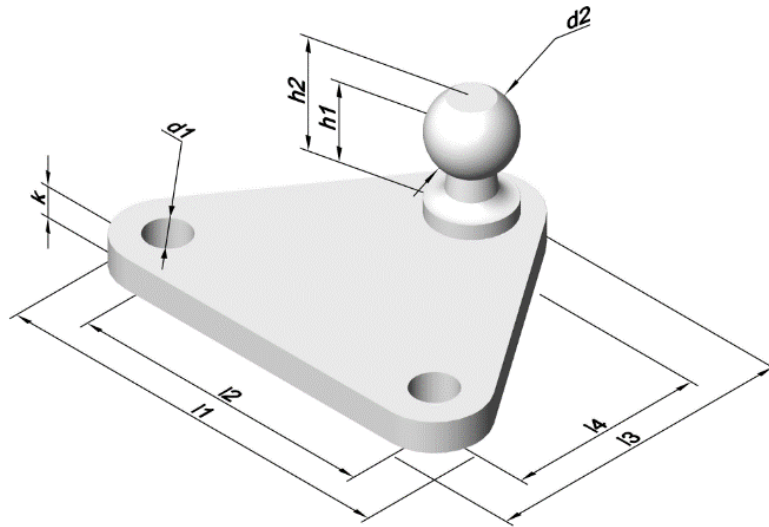
Code	d3	h2	h3	l1	l2	l3	l4	l5	h1	k	d1	d2
BR200201	8	11	14,5									
BR200202	10	11	15,5	69	55	24,5	47	30	5	3	5	5
BR200203	10	12,5	17									
BR200204	13	13	18,5									
BR201201	8	11	14,5									
BR201202	10	11	15,5	69	55	47	30	30	5	3	4,3	6,5
BR201203	10	12,5	17									
BR201204	13	13	18,5									



Code	d3	h2	h3	k2	l1	l2	l3	l4	l5	h1	k1	d1	d2
BR200206	6	8	11	2	69	55	24,5	47	30	5	3	5	5
BR200207	8	12	15,5	2									
BR201206	6	8	11	2	69	55	24,5	47	30	5	3	4,3	6,5
BR201207	8	12	15,5	2									

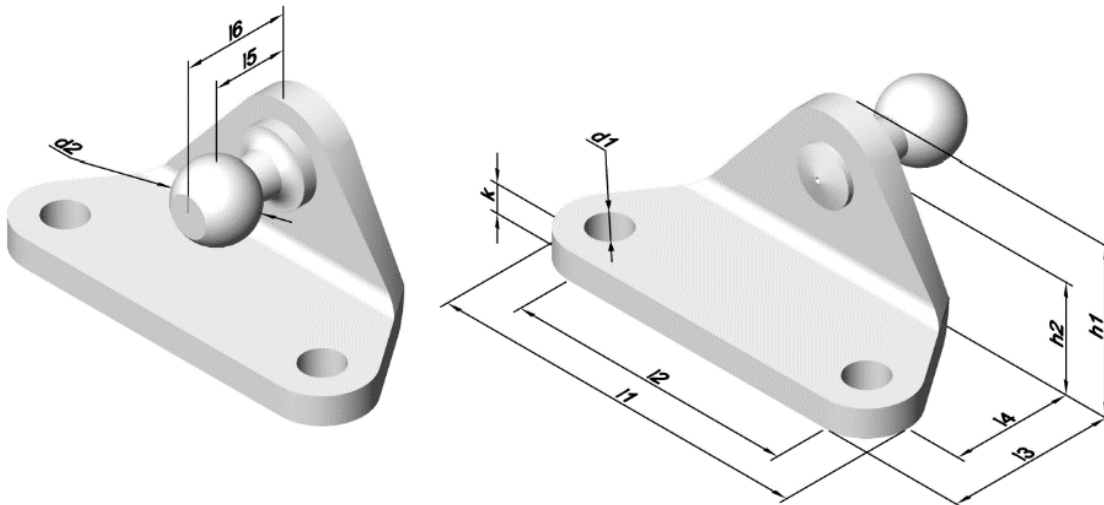


## BR2003 - FLAT THICK BRACKET



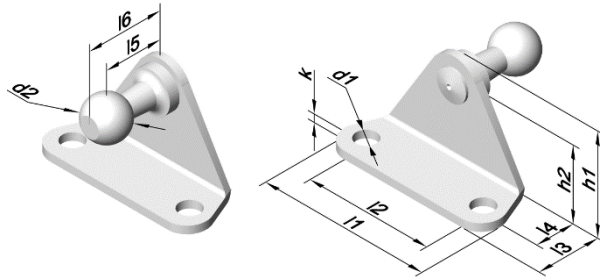
Code	d2	h1	h2	l1	l2	l3	l4	k	d1
BR200304	13	13	18,5	66	50	50	32	5	7,1
BR200305	16	16	23						
BR210304	13	13	18,5	66	50	50	30	6	7,1
BR210305	16	16	23						

## BR2003 – L-SHAPED THICK BRACKET

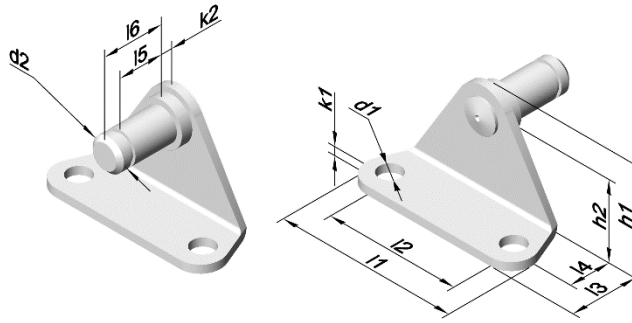


	Code	d2	l5	l6	l1	l2	l3	l4	h1	h2	k	d1
I – Stud turned inside O – Stud turned outside	BR200304I	13	13	18,5	66	50	29	21	29	19	5	7,1
	BR200304O											
	BR200305I	16	16	23								
	BR200305O											
	BR210304I	13	13	18,5								
	BR210304O											
BR210305I	16	16	23									
BR210305O												

## BR2004 - L-SHAPED SMALL BRACKET

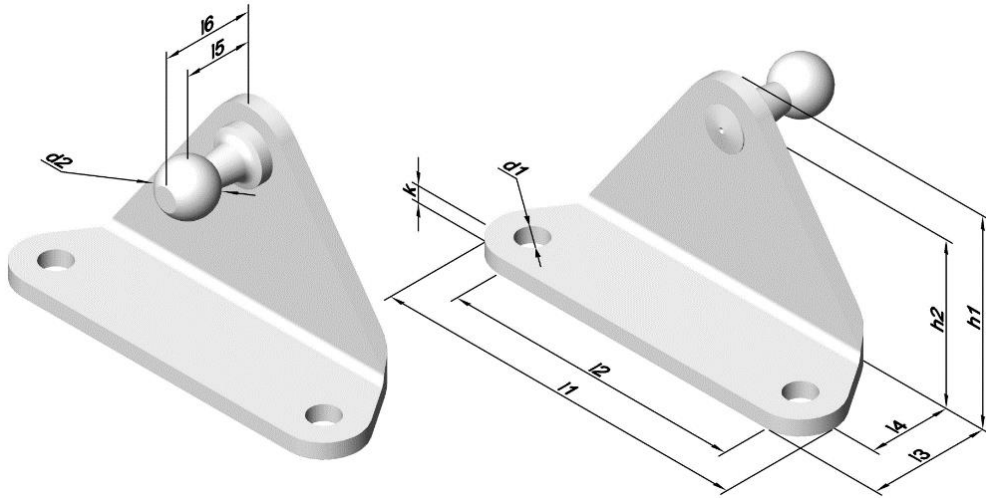


	Code	d3	l5	l6	l1	l2	l3	l4	h1	h2	k	d1
I – Stud turned inside	<b>BR200401I</b>	8	11	14,5	32	24	12	7,5	19	14	1,5	4,1
O – Stud turned outside	<b>BR200401O</b>											

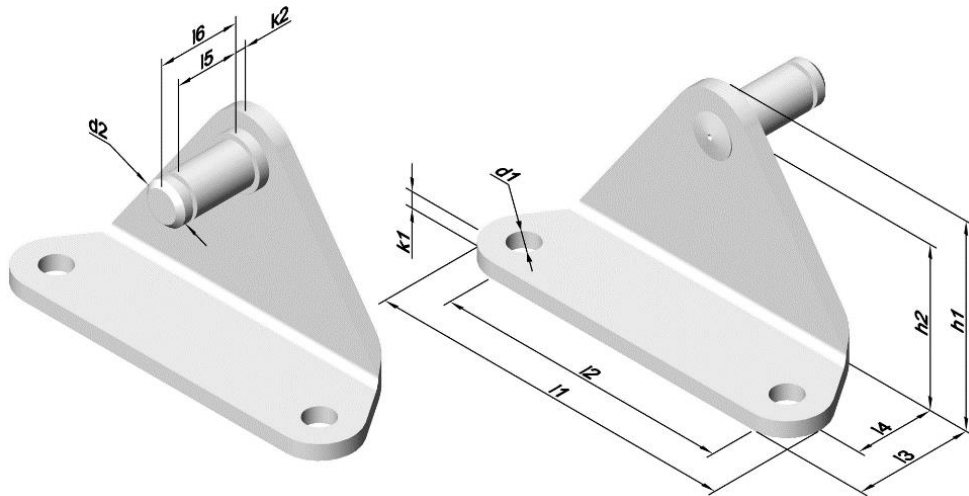


	Code	d2	l6	l7	k2	l1	l2	l3	l4	l5	h1	h2	k1	d1
I – Stud turned inside	<b>BR200406I</b>	6	8	11	2	32	24	12	7,5	19	14	1,5	4,1	32
O – Stud turned outside	<b>BR200406O</b>													

# BR2005 - L-SHAPED BRACKET

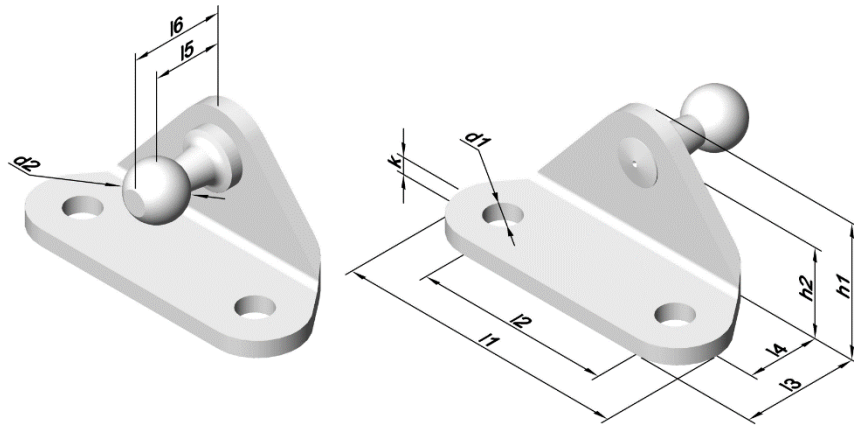


	Code	d2	l5	l6	l1	l2	l3	l4	h1	h2	k	d1
I – Stud turned inside O – Stud turned outside	BR200501I BR200501O	8	11	14,5	69	55	22	15	38	30	3	5,5
	BR200502I BR200502O	10	11	15,5								
	BR200503I BR200503O	10	12,5	17								
	BR200504I BR200504O	13	13	18,5								

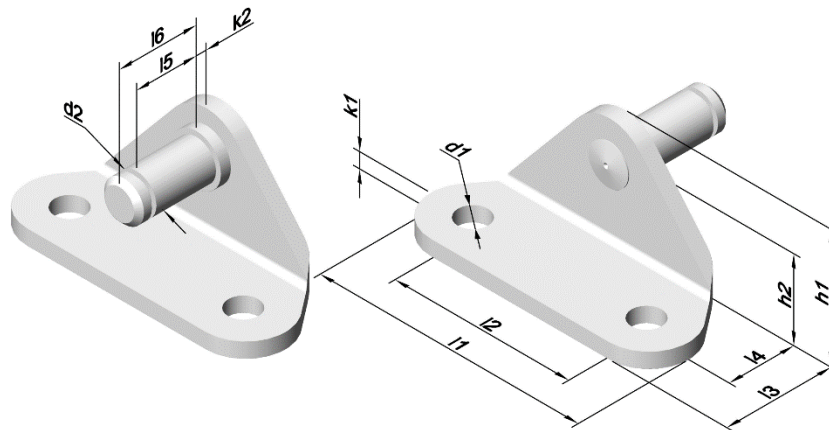


	Code	d2	l5	l6	k2	l1	l2	l3	l4	h1	h2	k1	d1
I – Stud turned inside O – Stud turned outside	BR200506I BR200506O	6	8	11	2	69	55	22	15	38	30	3	5,5
	BR200507I BR200507O	8	12	15,5	2								

## BR2006 - L-SHAPED BRACKET

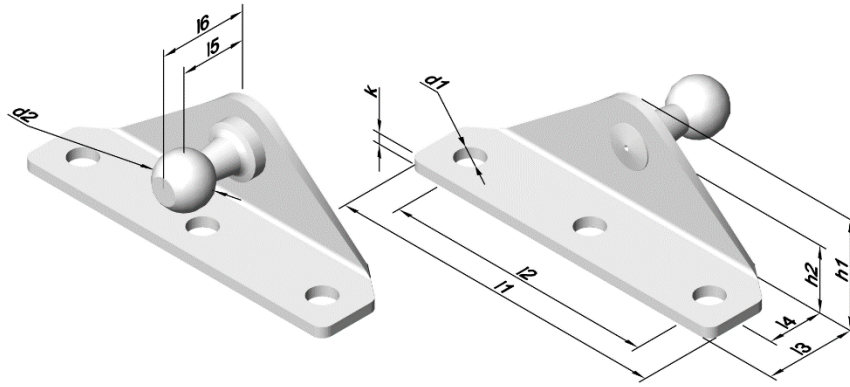


	Code	d2	l5	l6	l1	l2	l3	l4	h1	h2	k	d1
I – Stud turned inside O – Stud turned outside	BR200601I	8	11	14,5	52	35	21	13	24	16	3	6
	BR200601O											
	BR200602I											
	BR200602O											
	BR200603I											
BR200603O	10	12,5	17									

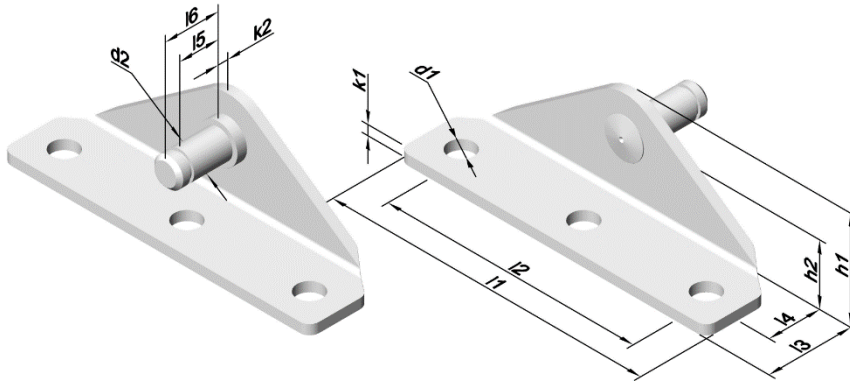


	Code	d2	l5	l6	k2	l1	l2	l3	l4	h1	h2	k1	d1
I – Stud turned inside O – Stud turned outside	BR200606I	6	8	11	2	52	35	21	13	24	16	3	6
	BR200606O												
	BR200607I												
	BR200607O	8	12	15,5	2								

# BR3001 - L-SHAPED BRACKET

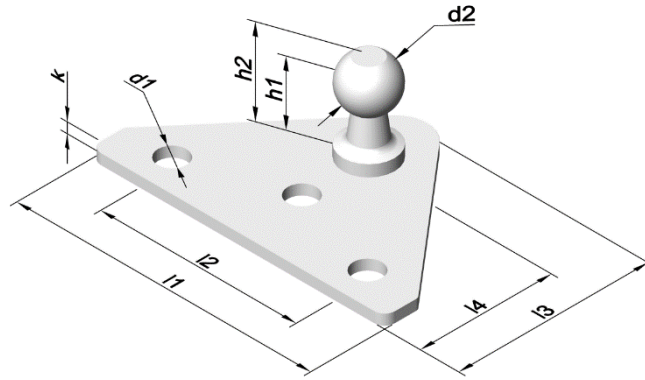


	Code	d2	l5	l6	l1	l2	l3	l4	h1	h2	k	d1
I – Stud turned inside O – Stud turned outside	BR300101/ BR300101O	8	11	14,5								
	BR300102/ BR300102O	10	11	15,5	64	51	17	10,5	20,5	12,5	2	5,2
	BR300103/ BR300103O	10	12,5	17								

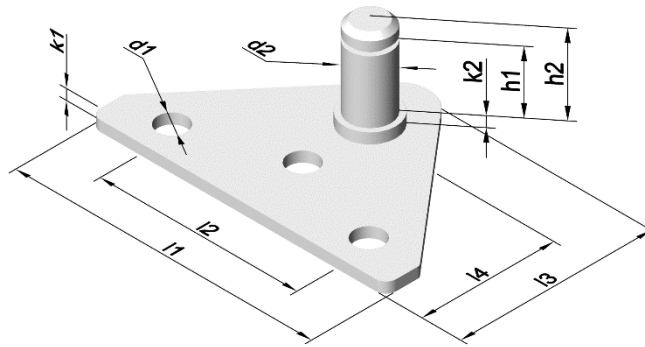


	Code	d2	l5	l6	k2	l1	l2	l3	l4	h1	h2	k1	d1
I – Stud turned inside O – Stud turned outside	BR300106I BR300106O	6	8	11	2								
	BR300107I BR300107O	8	12	15,5	2	64	51	17	10,5	20,5	12,5	2	5,2

## BR3002 – FLAT BRACKET

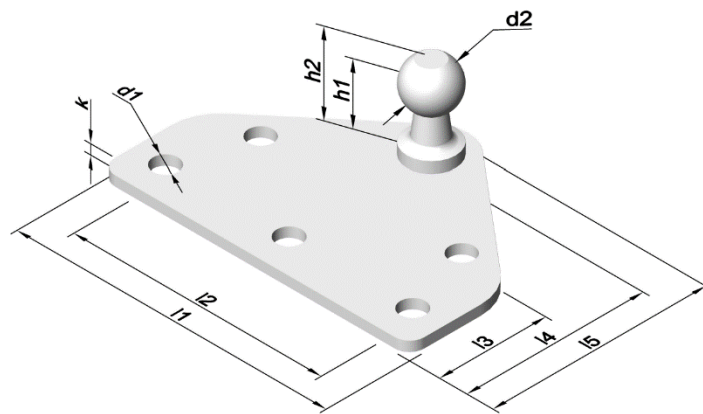


Code	d2	h1	h2	l1	l2	l3	l4	k	d1
BR300201	8	11	14,5						
BR300202	10	11	15,5	57,15	38	36,8	25,5	2	5,5
BR300203	10	12,5	17						

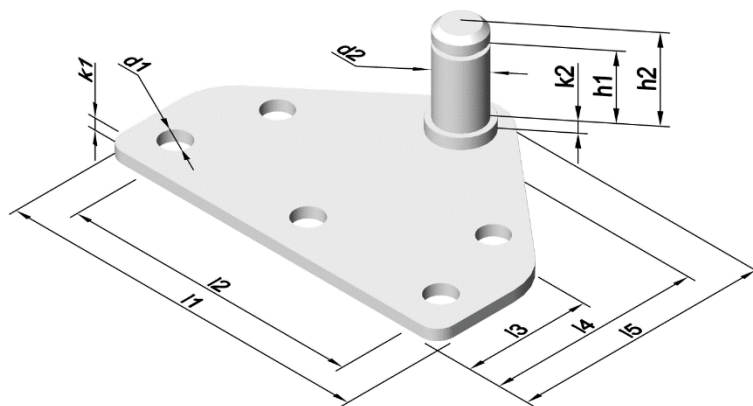


Code	d2	h1	h2	k2	l1	l2	l3	l4	k1	d1
BR300206	6	8	11	2	57,15	38	36,8	25,5	2	5,5
BR300207	8	12	15,5	2						

## BR3003 – FLAT BRACKET

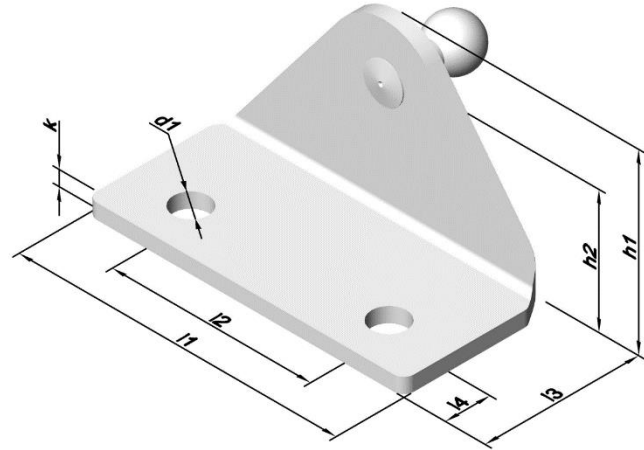
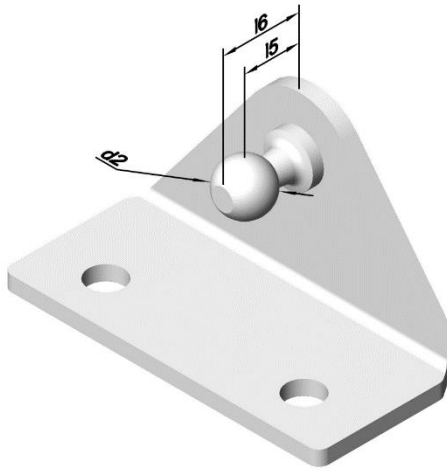


Code	d2	h1	h2	l1	l2	l3	l4	l5	k	d1
<b>BR300301</b>	8	11	14,5							
<b>BR300302</b>	10	11	15,5	63,5	50,8	21,8	36,2	43,7	2	5,1
<b>BR300303</b>	10	12,5	17							
<b>BR310301</b>	8	11	14,5							
<b>BR310302</b>	10	11	15,5	63,5	50,8	21,8	36,2	43,7	2,5	5,1
<b>BR310303</b>	10	12,5	17							

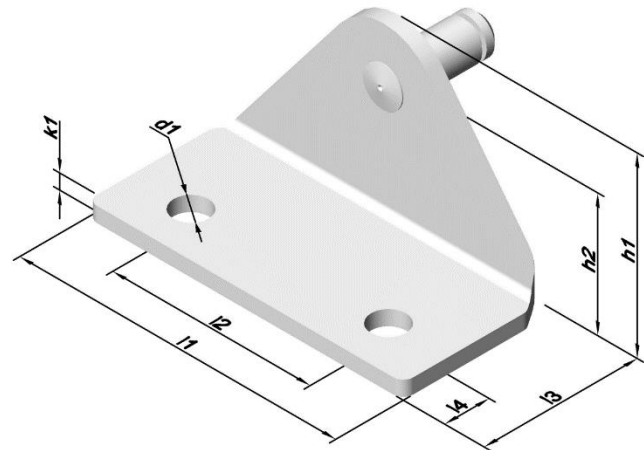
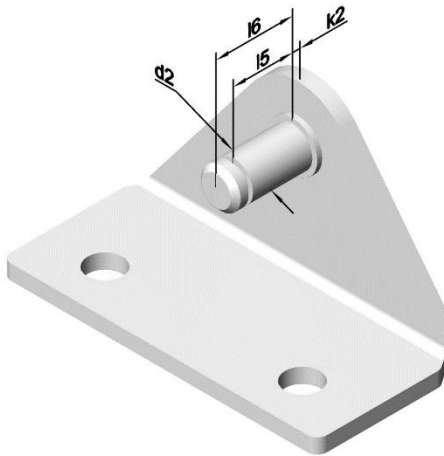


Code	d2	h1	h2	k2	l1	l2	l3	l4	l5	k1	d1
<b>BR300306</b>	6	8	11	2							
<b>BR300307</b>	8	12	15,5	2	63,5	50,8	21,8	36,2	43,7	2	5,1
<b>BR310306</b>	6	8	11	2							
<b>BR310307</b>	8	12	15,5	2	63,5	50,8	21,8	36,2	43,7	2,5	5,1

## BR3004 - L-SHAPED BRACKET



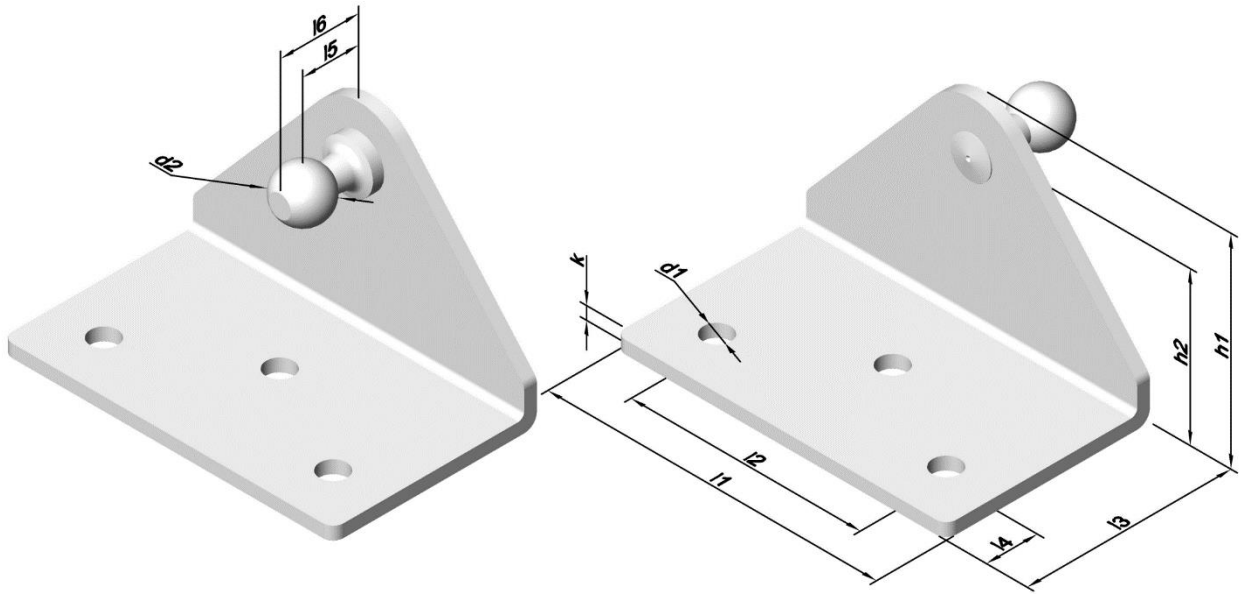
	Code	d2	l5	l6	l1	l2	l3	l4	h1	h2	k	d1
I - Stud turned inside O - Stud turned outside	BR300401I BR300401O	8	11	14,5	64	40	31	9	36	25	3	7
	BR300402I BR300402O	10	11	15,5								
	BR300403I BR300403O	10	12,5	17								
	BR300404I BR300404O	13	13	18,5								



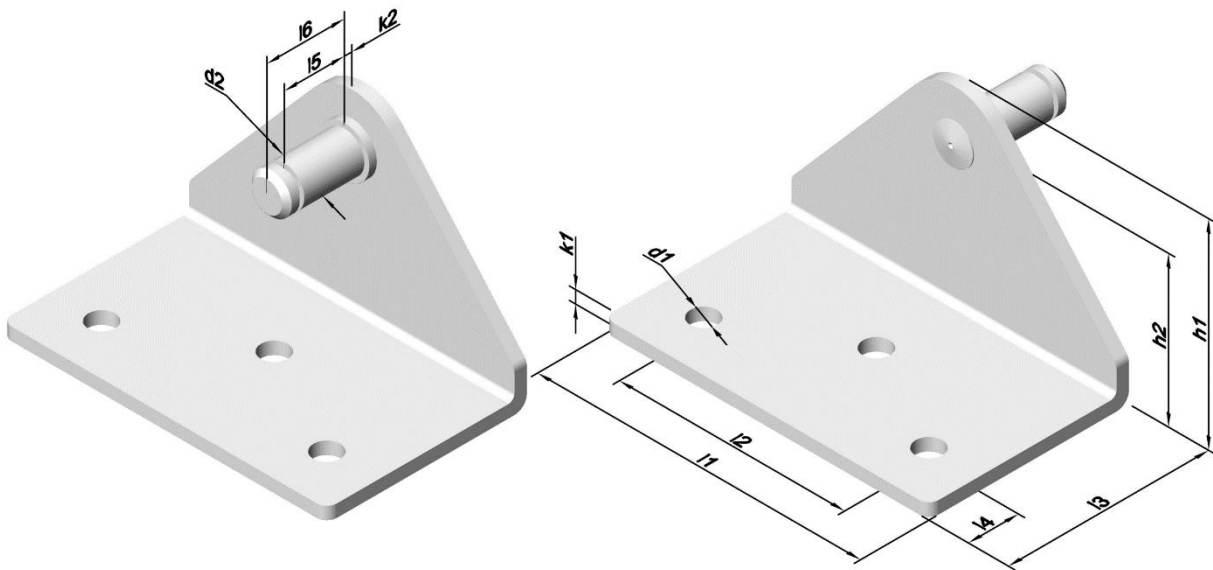
	Code	d2	l5	l6	k2	l1	l2	l3	l4	h1	h2	k1	d1
I - Stud turned inside O - Stud turned outside	BR300406I BR300406O	6	8	11	2	64	40	31	9	36	25	3	7
	BR300407I BR300407O	8	12	15,5	2								



# BR3005 - L-SHAPED BRACKET

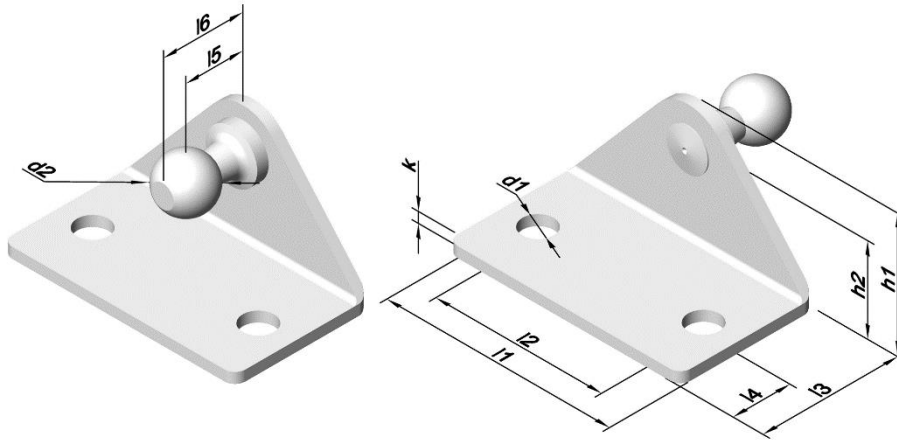


	Code	d2	l5	l6	l1	l2	l3	l4	h1	h2	k	d1
I – Stud turned inside O – Stud turned outside	<i>BR300501I</i>	8	11	14,5	65	45	40	10	40	30	2,5	5,3
	<i>BR300501O</i>											
	<i>BR300502I</i>	10	11	15,5								
	<i>BR300502O</i>											
	<i>BR300503I</i>	10	12,5	17								
<i>BR300503O</i>												

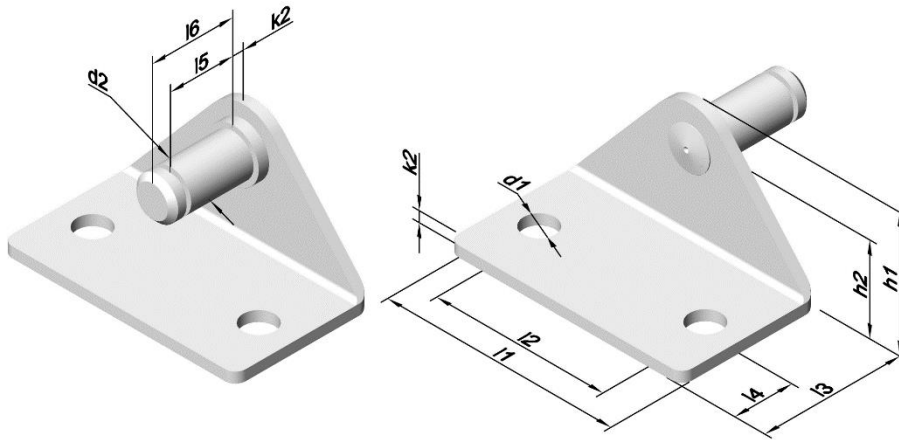


	Code	d2	l5	l6	k2	l1	l2	l3	l4	h1	h2	k1	d1
I – Stud turned inside O – Stud turned outside	<i>BR300506I</i>	6	8	11	2	65	45	40	10	40	30	2,5	5,3
	<i>BR300506O</i>												
	<i>BR300507I</i>	8	12	15,5	2								
	<i>BR300507O</i>												

# BR3006 - L-SHAPED BRACKET

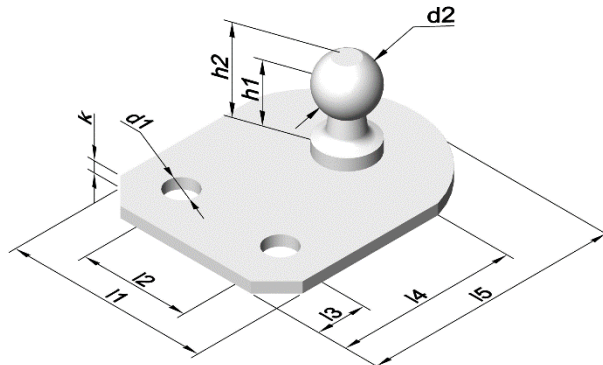


	Code	d2	l5	l6	l1	l2	l3	l4	h1	h2	k	d1
I – Stud turned inside O – Stud turned outside	BR300601I	8	11	14,5	45	32	26	15	24	16,5	2	6
	BR300601O											
	BR300602I	10	11	15,5								
	BR300602O											
	BR300603I	10	12,5	17								
	BR300603O											

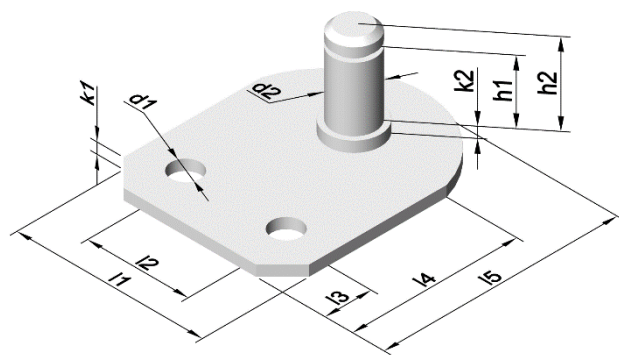


	Code	d2	l5	l6	k2	l1	l2	l3	l4	h1	h2	k1	d1
I – Stud turned inside O – Stud turned outside	BR300606I	6	8	11	2	45	32	26	15	24	16,5	2	6
	BR300606O												
	BR300607I	8	12	15,5	2								
	BR300607O												

# BR3007 – FLAT BRACKET

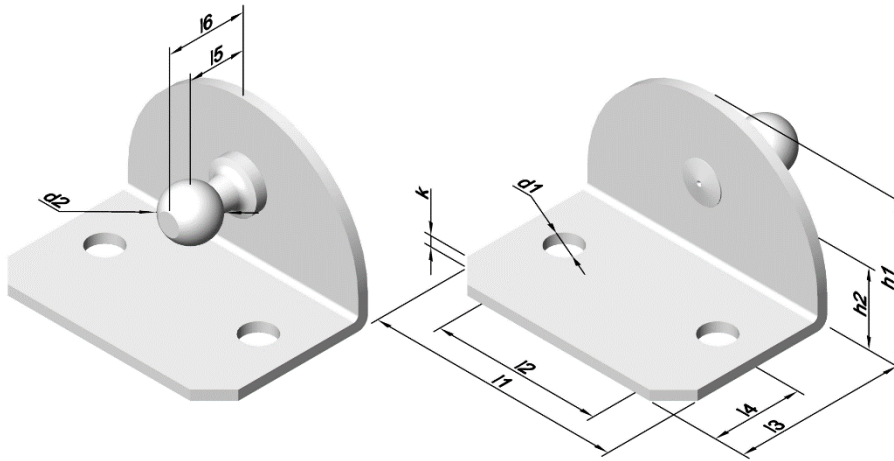


Code	d2	h1	h2	l1	l2	l3	l4	l5	k	d1
<b>BR300701</b>	8	11	14,5							
<b>BR300702</b>	10	11	15,5	35	19	8,7	31	44	2	5,5
<b>BR300703</b>	10	12,5	17							

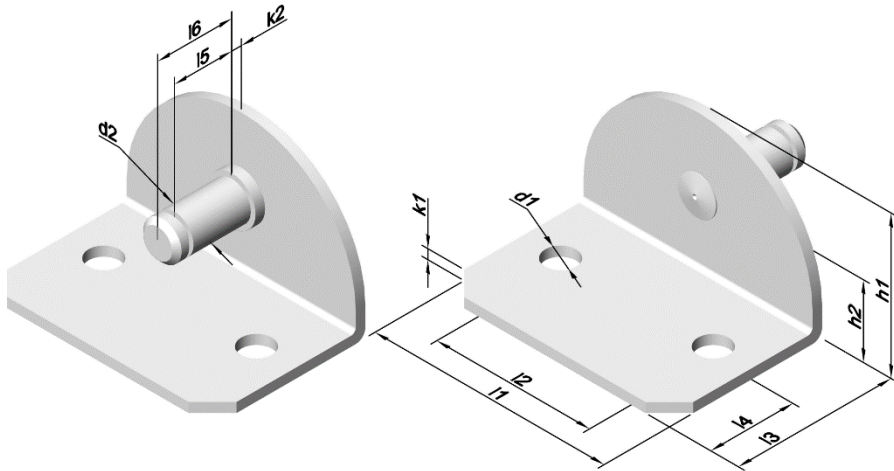


Code	d2	h1	h2	k2	l1	l2	l3	l4	l5	k1	d1
<b>BR300706</b>	6	8	11	2							
<b>BR300707</b>	8	12	15,5	2	35	19	8,7	31	44	2	5,5

# BR3006 - L-SHAPED BRACKET

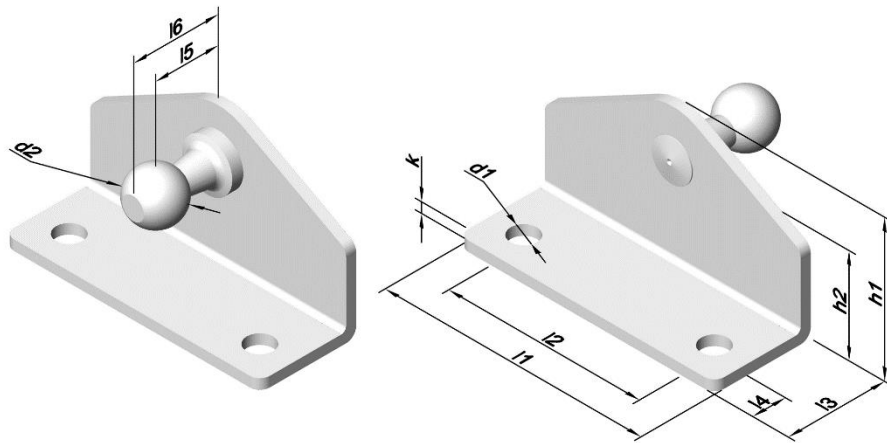


	Code	d2	l5	l6	l1	l2	l3	l4	h1	h2	k	d1
I - Stud turned inside O - Stud turned outside	BR301701I BR301701O	8	11	14,5								
	BR301702I BR301702O	10	11	15,5	48	32	32	17,2	30	15	2	6,4
	BR301703I BR301703O	10	12,5	17								

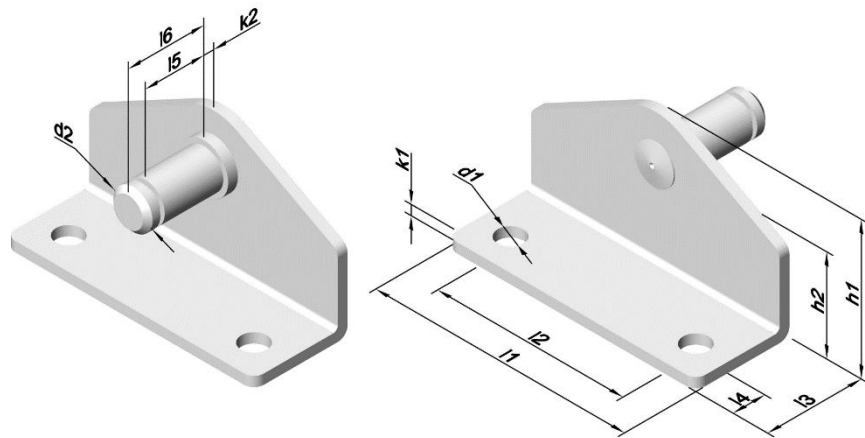


	Code	d2	l5	l6	k2	l1	l2	l3	l4	h1	h2	k1	d1
I - Stud turned inside O - Stud turned outside	BR301706I BR301706O	6	8	11	2								
	BR301707I BR301707O	8	12	15,5	2	48	32	32	17,2	30	15	2	6,4

# BR4001 - L-SHAPED BRACKET

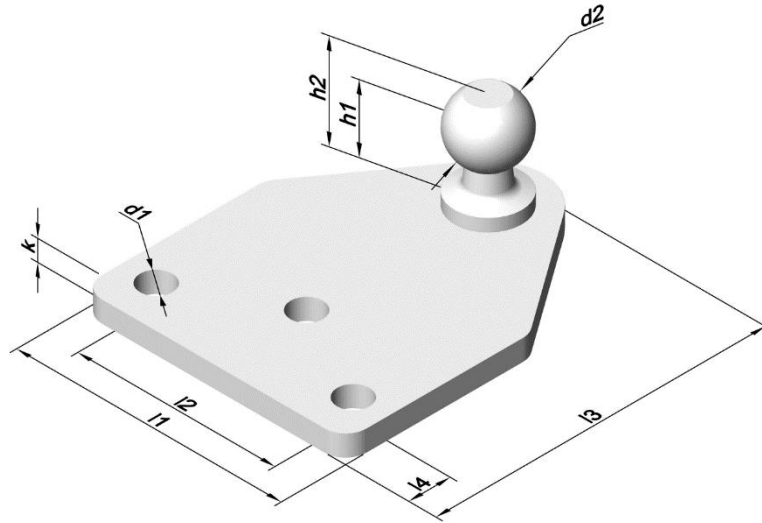


	Code	d2	l5	l6	l1	l2	l3	l4	h1	h2	k	d1
I - Stud turned inside O - Stud turned outside	BR400101/ BR400101O	8	11	14,5	51	38	19,2	6,5	30	15	2	6,4
	BR400102/ BR400102O	10	11	15,5								
BR400103/ BR400103O	10	12,5	17									



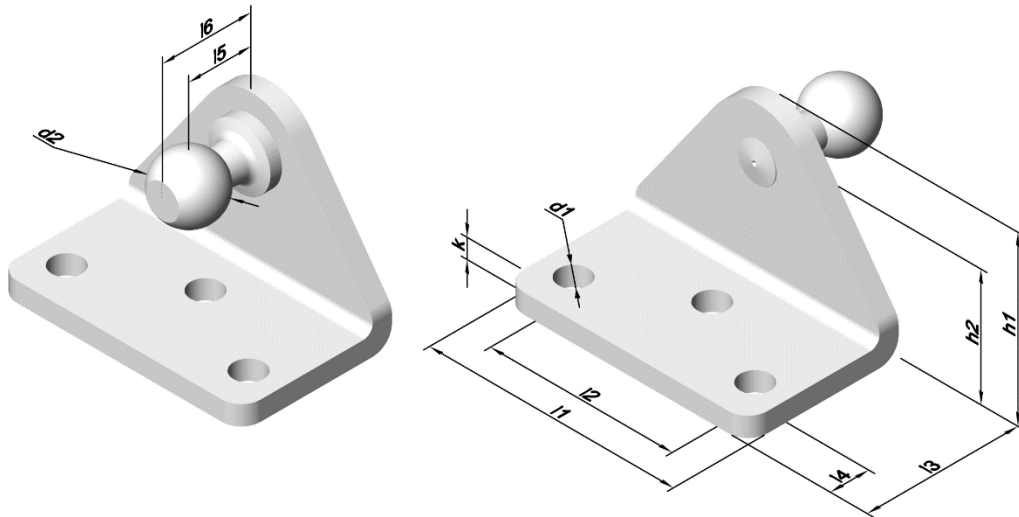
	Code	d2	l5	l6	k2	l1	l2	l3	l4	h1	h2	k1	d1
I - Stud turned inside O - Stud turned outside	BR400106I/ BR400106O	6	8	11	2	51	38	19,2	6,5	30	15	2	6,4
	BR400107I/ BR400107O	8	12	15,5	2								

## BR4002 - FLAT THICK BRACKET



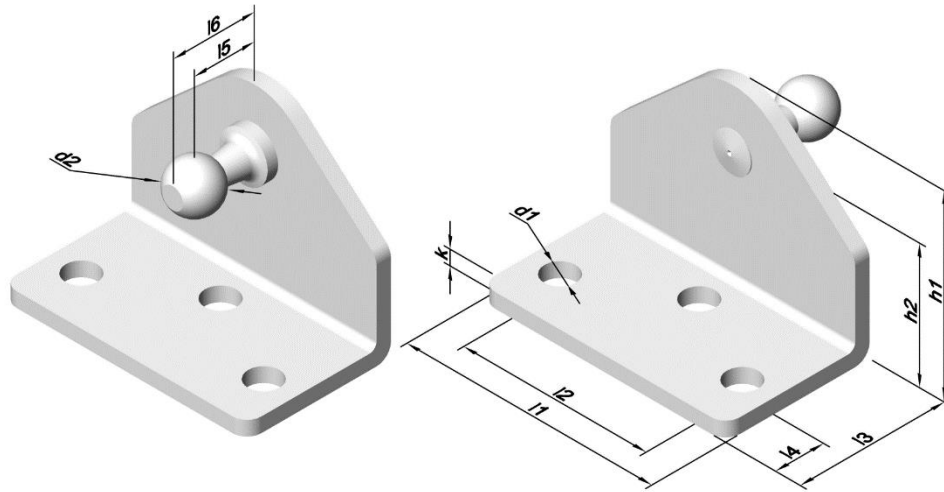
Code	d2	h1	h2	l1	l2	l3	l4	k	d1
<b>BR400204</b>	13	13	18,5	51	38	63,5	8	4	6,2
<b>BR400205</b>	16	16	23						

## BR4002 – L-SHAPED THICK BRACKET

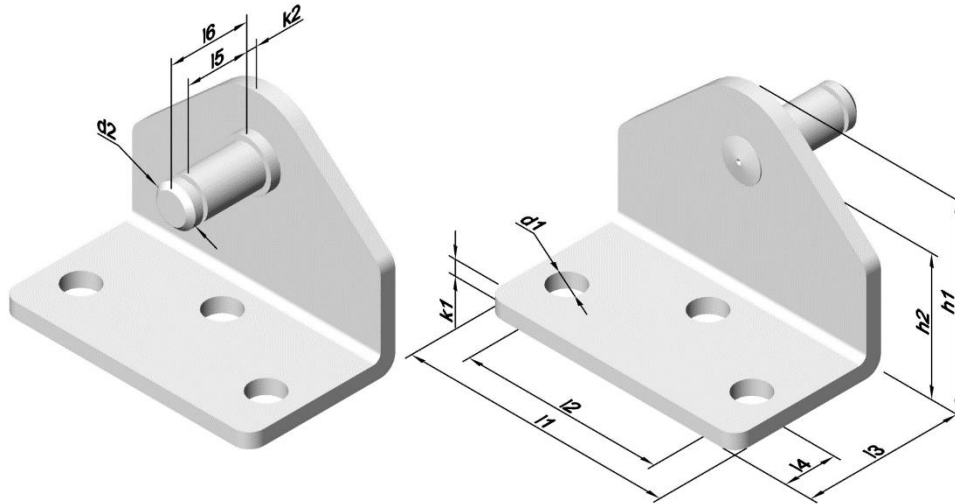


	Code	d2	l5	l6	l1	l2	l3	l4	h1	h2	k	d1
I – Stud turned inside O – Stud turned outside	<b>BR400204I</b>	13	13	18,5	51	38	31,5	8	35	24,5	4	6,4
	<b>BR400204O</b>											
	<b>BR400205I</b>	16	16	23								
	<b>BR400205O</b>											

# BR4003 - L-SHAPED BRACKET

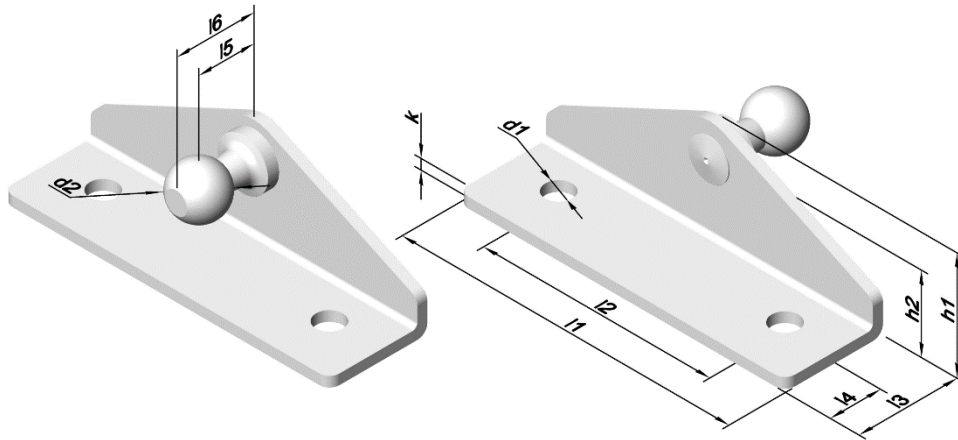


	Code	d2	l5	l6	l1	l2	l3	l4	h1	h2	k	d1
I – Stud turned inside O – Stud turned outside	BR400302I	8	11	14,5	51	38	30	10	38	26	3	6,5
	BR400302O											
	BR400303I	10	11	15,5								
	BR400303O											
	BR400304I	10	12,5	17								
	BR400304O											

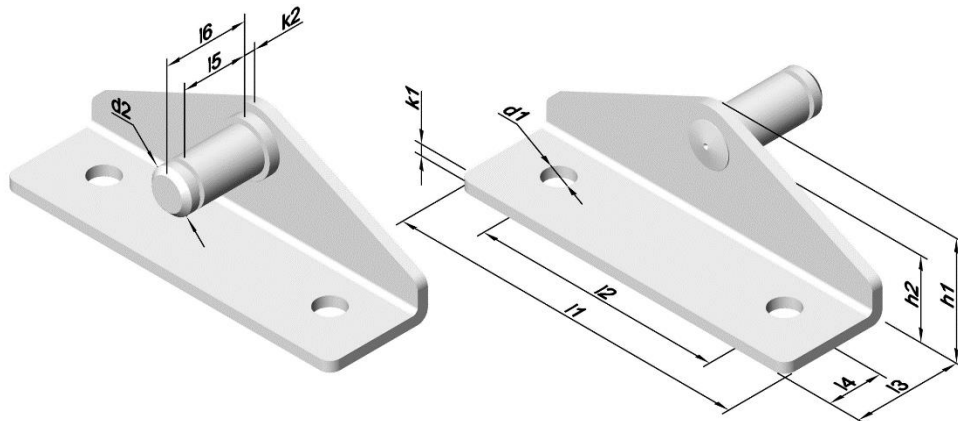


	Code	d2	l5	l6	k2	l1	l2	l3	l4	h1	h2	k1	d1
I – Stud turned inside O – Stud turned outside	BR400306I	6	8	11	2	51	38	30	10	38	26	3	6,5
	BR400306O												
	BR400307I	8	12	15,5	2								
	BR400307O												

## BR4004 - L-SHAPED BRACKET



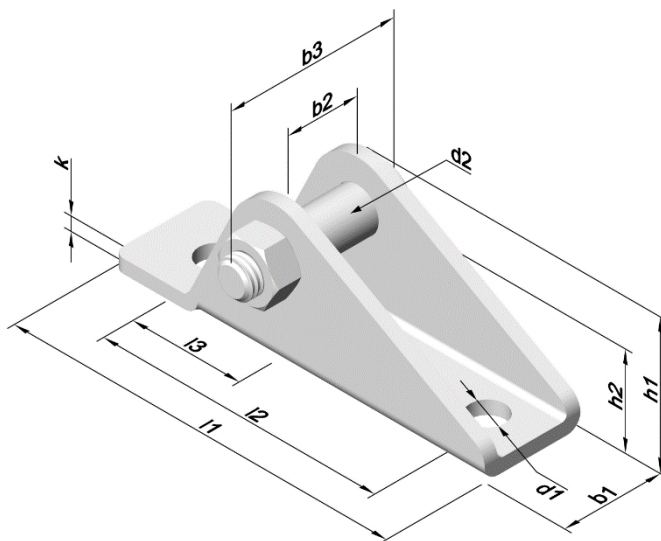
	Code	d2	l5	l6	l1	l2	l3	l4	h1	h2	k	d1
I – Stud turned inside O – Stud turned outside	BR400401I	8	11	14,5	51	38	30	10	38	26	3	6,5
	BR400401O											
	BR400402I	10	11	15,5								
	BR400402O											
	BR400403I	10	12,5	17								
	BR400403O											



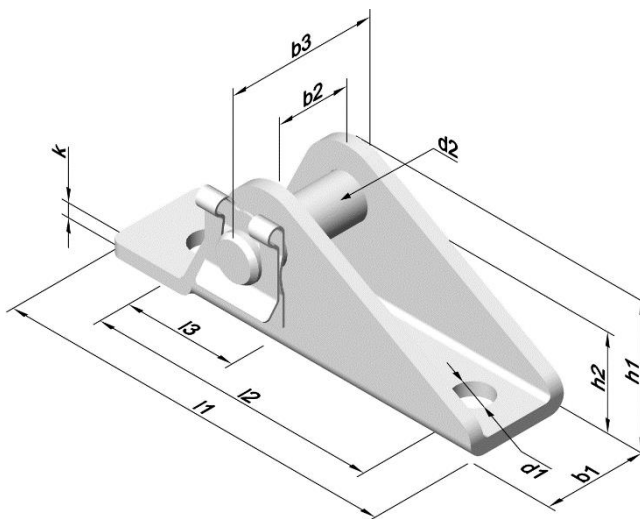
	Code	d2	l5	l6	k2	l1	l2	l3	l4	h1	h2	k1	d1
I – Stud turned inside O – Stud turned outside	BR400406I	6	8	11	2	51	38	30	10	38	26	3	6,5
	BR400406O												
	BR400407I	8	12	15,5	2								
	BR400407O												



## BR501 – U-SHAPED BRACKET

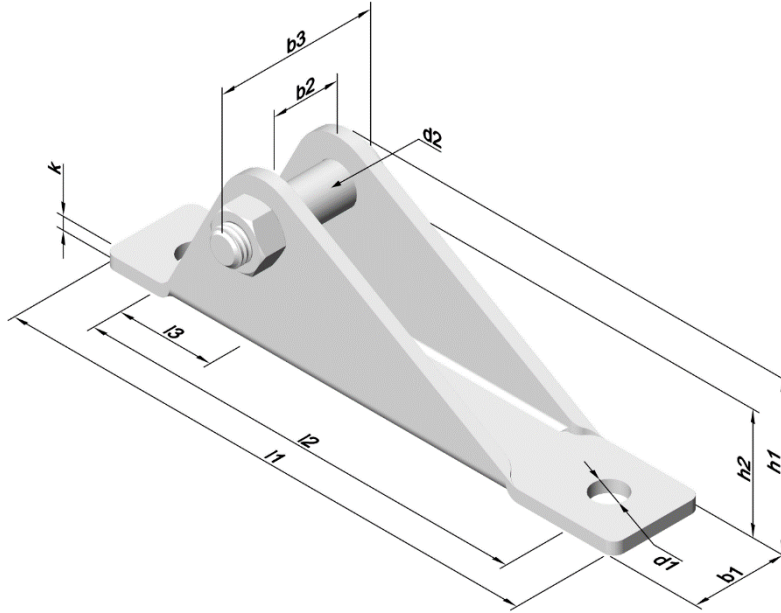


Code	d2	b3	l1	l2	l3	h1	h2	b1	b2	k	d1
<b>BR501101</b>	8	30,4	70	51	20	25,5	17	18	13	2,5	6,5
<b>BR501201</b>	10	31,9									

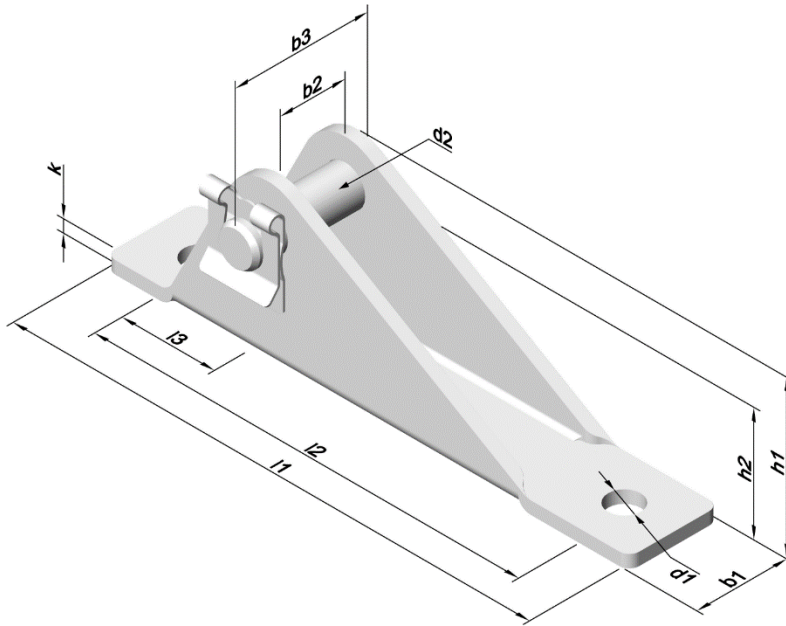


Code	d2	b3	l1	l2	l3	h1	h2	b1	b2	k	d1
<b>BR501102</b>	8	26,5	70	51	20	25,5	17	18	13	2,5	6,5
<b>BR501202</b>	10	26,5									

## BR502-BR503 – U-SHAPED BRACKET

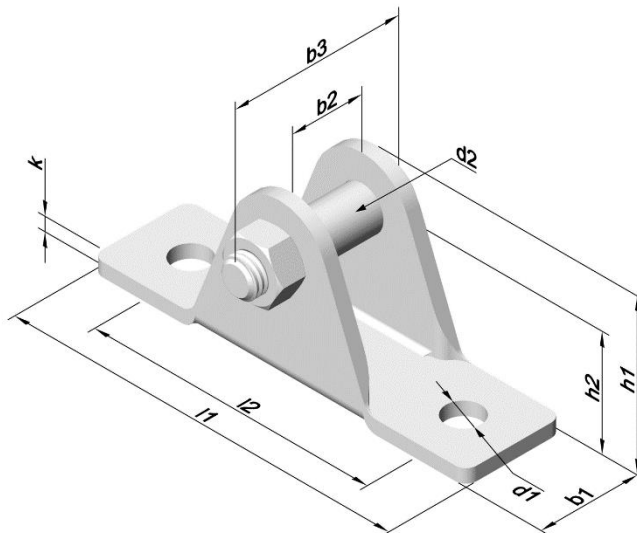


Code	d2	b3	l1	l2	l3	h1	h2	b1	b2	k	d1
<b>BR502101</b>	8	30,4	95	75	18	28,5	20	18	13	2,5	6,5
<b>BR502201</b>	10	31,9									
<b>BR503101</b>	8	30,4	105	85	22,5	31,5	23	18	13	2,5	6,5
<b>BR503201</b>	10	31,9									

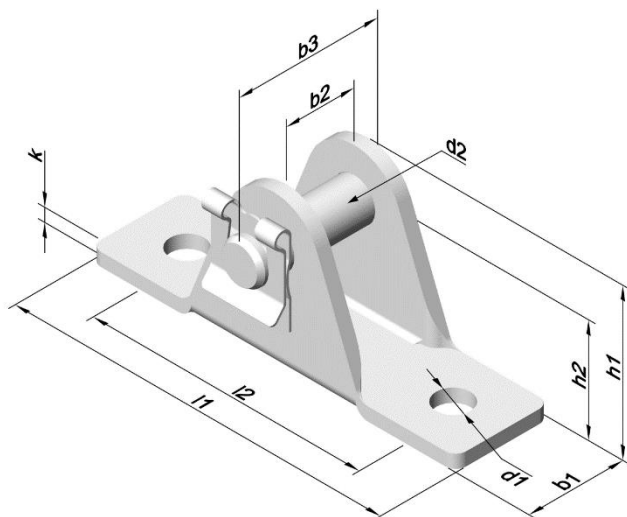


Code	d2	b3	l1	l2	l3	h1	h2	b1	b2	k	d1
<b>BR502102</b>	8	26,5	95	75	18	28,5	20	18	13	2,5	6,5
<b>BR502202</b>	10	26,5									
<b>BR503102</b>	8	26,5	105	85	22,5	31,5	23	18	13	2,5	6,5
<b>BR503202</b>	10	26,5									

## BR504 – U-SHAPED BRACKET

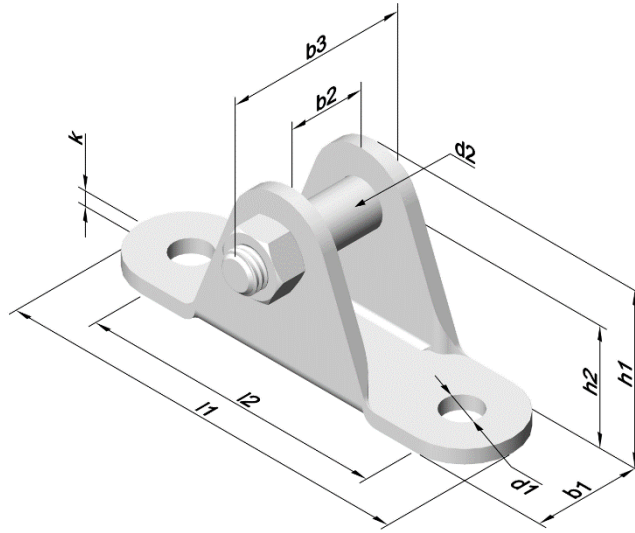


Code	d2	b3	l1	l2	l3	h1	h2	b1	b2	k	d1
BR504101	8	30,4	70	51	20	25,5	17	18	13	2,5	6,5
BR504201	10	31,9									

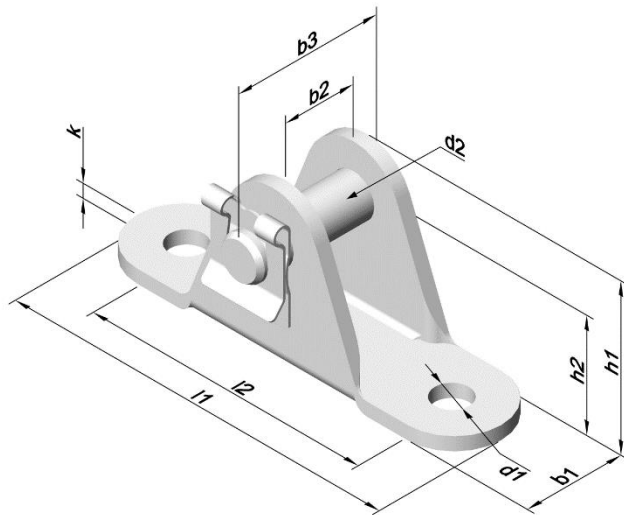


Code	d2	b3	l1	l2	l3	h1	h2	b1	b2	k	d1
BR504102	8	26,5	70	51	20	25,5	17	18	13	2,5	6,5
BR504202	10	26,5									

## BR505 – U-SHAPED BRACKET

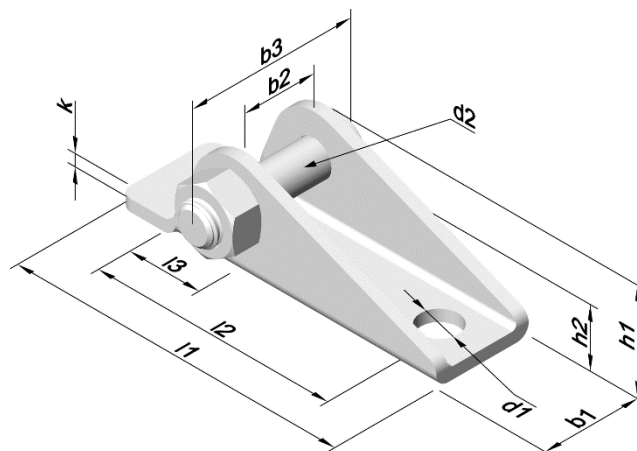


Code	d2	b3	l1	l2	l3	h1	h2	b1	b2	k	d1
<b>BR505101</b>	8	30,4	70	51	20	25,5	17	18	13	2,5	6,5
<b>BR505201</b>	10	31,9									



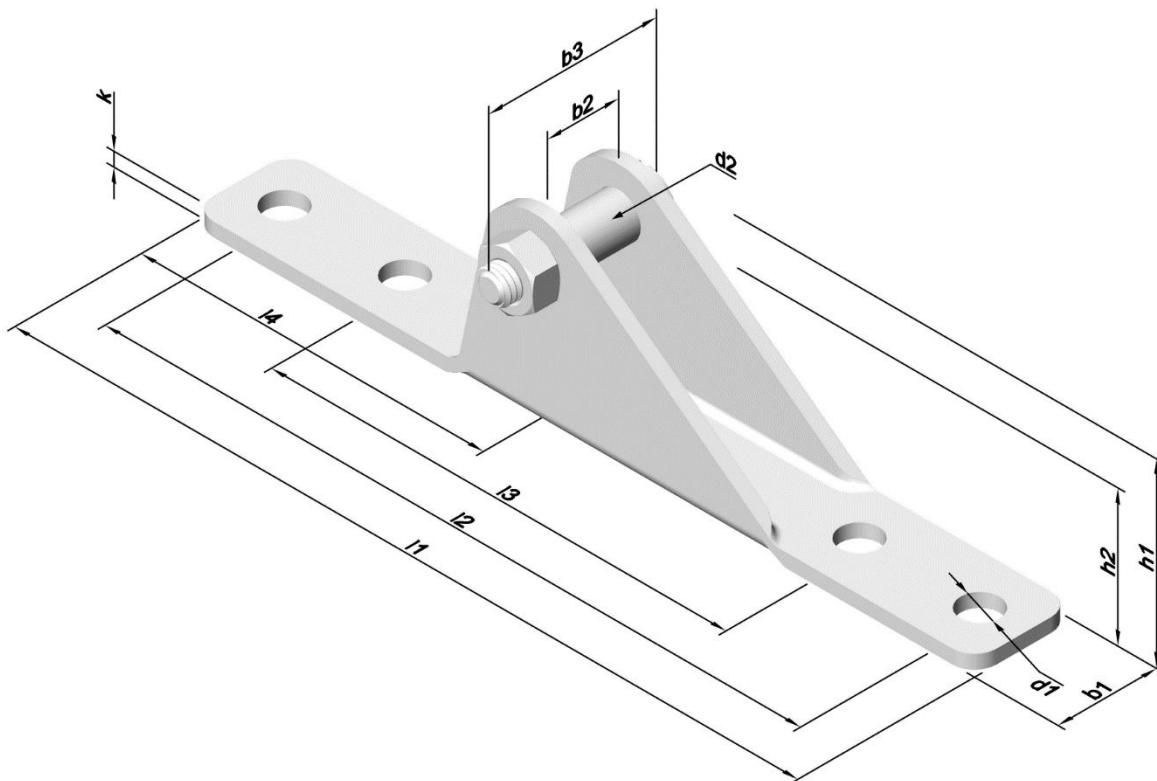
Code	d2	b3	l1	l2	l3	h1	h2	b1	b2	k	d1
<b>BR505102</b>	8	26,5	70	51	20	25,5	17	18	13	2,5	6,5
<b>BR505202</b>	10	26,5									

## BR506 – U-SHAPED BRACKET



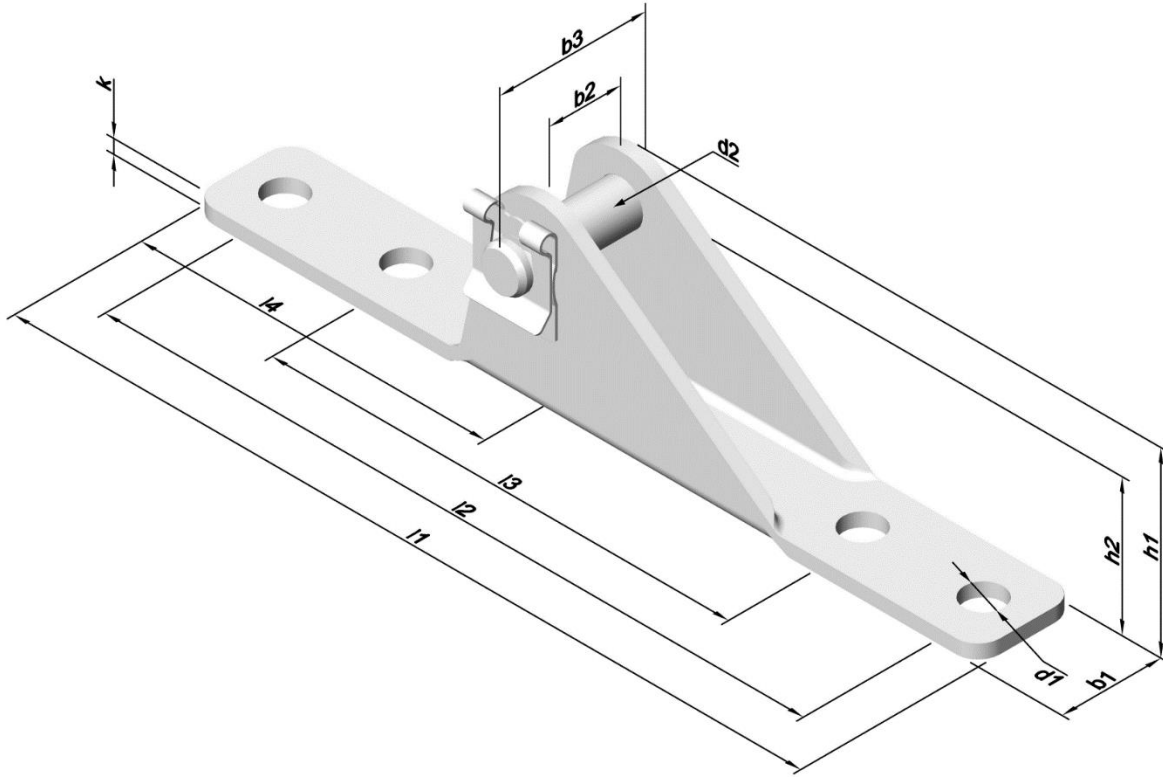
Code	d2	b3	l1	l2	l3	h1	h2	b1	b2	k	d1
BR506101	6	27,4	55	40	12	17	10	15	11	2	6,5
BR506201	8	27,4									

## BR507 – U-SHAPED BRACKET



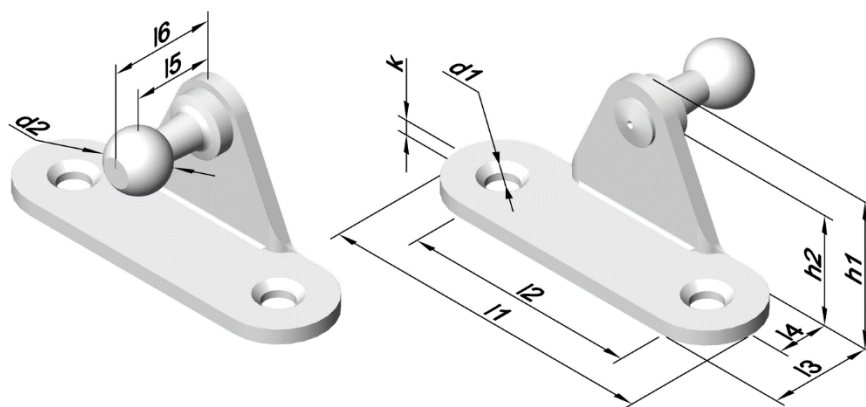
Code	d2	b3	l1	l2	l3	l4	h1	h2	b1	b2	k	d1
BR507101	8	30,4	143	127	83	80,5	33,1	25	18	13	2,5	7
BR507201	10	31,9										

## BR507 – U-SHAPED BRACKET

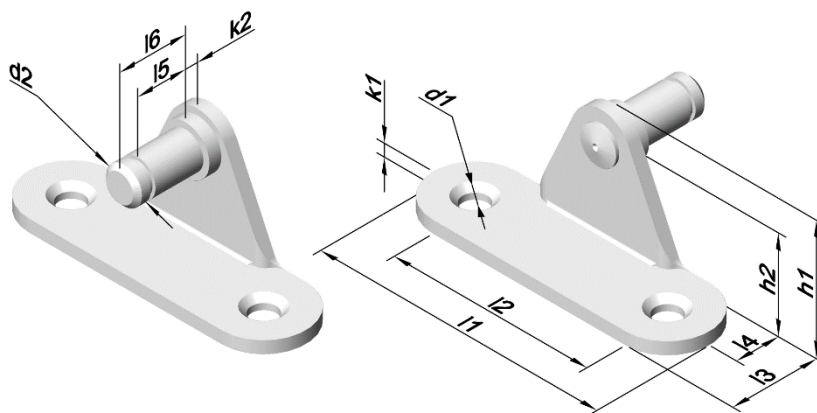


Code	d2	b3	l1	l2	l3	l4	h1	h2	b1	b2	k	d1
<b>BR507102</b>	8	26,5	143	127	83	80,5	33,1	25	18	13	2,5	7
<b>BR507202</b>	10	26,5										

## BR6001 - L-SHAPED BRACKET

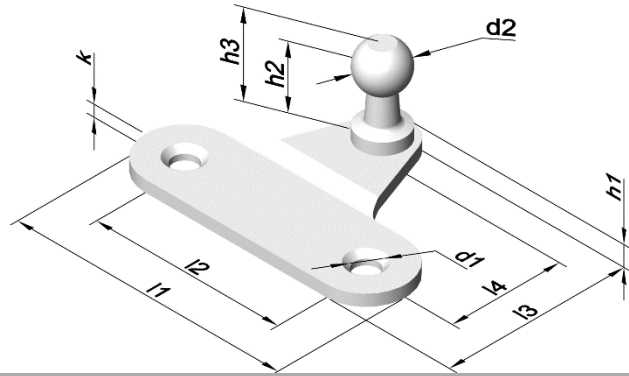


	Code	d2	l5	l6	l1	l2	l3	l4	h1	h2	k	d1
I – Stud turned inside O – Stud turned outside	<i>BR600101I</i>	8	11	14,5	46,2	32,2	14	7	20	15	2	4,1
	<i>BR600101O</i>											
	<i>BR600102I</i>											
	<i>BR600102O</i>											
	<i>BR600103I</i>	10	12,5	17								
	<i>BR600103O</i>											

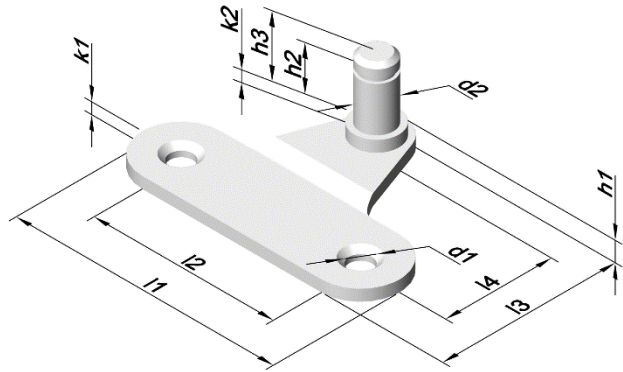


	Code	d2	l5	l6	k2	l1	l2	l3	l4	h1	h2	k1	d1
I – Stud turned inside O – Stud turned outside	<i>BR600106I</i>	6	8	11	2	46,2	32,2	14	7	20	15	2	4,1
	<i>BR600106O</i>												
	<i>BR600107I</i>	8	12	15,5	2								
	<i>BR600107O</i>												

# BR6001 - Z-SHAPED BRACKET



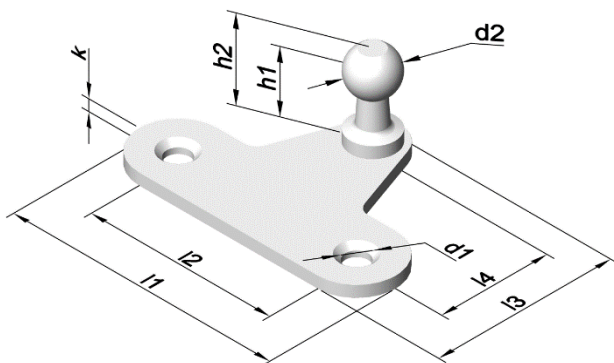
Code	d2	h2	h3	l1	l2	l3	l4	h1	k	d1
<b>BR600101</b>	8	11	14,5							
<b>BR600102</b>	10	11	15,5	46,2	32,2	31	19	3,5	2	4,1
<b>BR600103</b>	10	12,5	17							



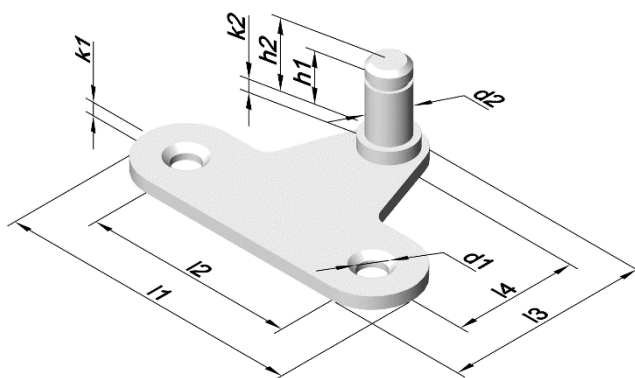
Code	d2	h2	h3	k2	l1	l2	l3	l4	h1	k1	d1
<b>BR600106</b>	6	8	11	2							
<b>BR600107</b>	8	12	15,5	2	46,2	32,2	31	19	3,5	2	4,1



## BR6002 - FLAT BRACKET

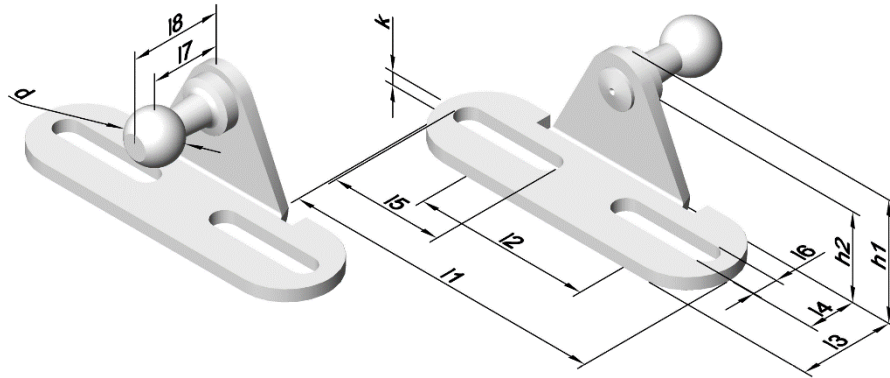


Code	d2	h1	h2	l1	l2	l3	l4	k	d1
<b>BR600201</b>	8	11	14,5						
<b>BR600202</b>	10	11	15,5	46,2	32,2	31	19	2	4,1
<b>BR600203</b>	10	12,5	17						

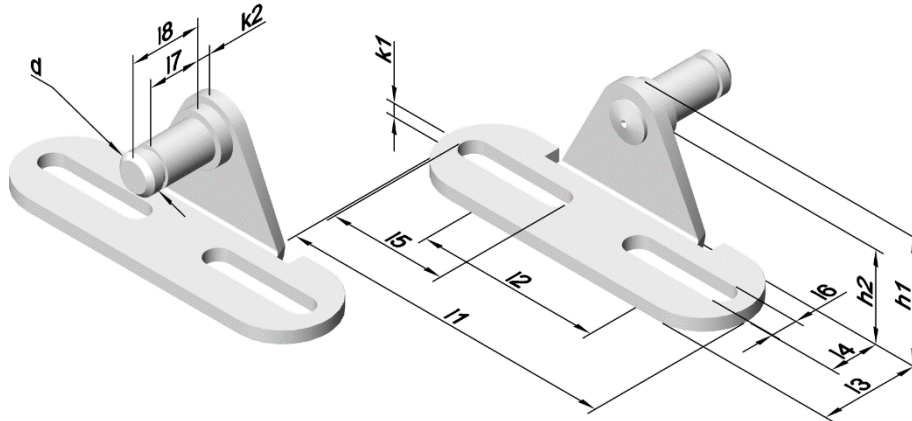


Code	d2	h1	h2	k2	l1	l2	l3	l4	k1	d1
<b>BR600206</b>	6	8	11	2						
<b>BR600207</b>	8	12	15,5	2	46,2	32,2	31	19	2	4,1

# BR6003 - L-SHAPED BRACKET

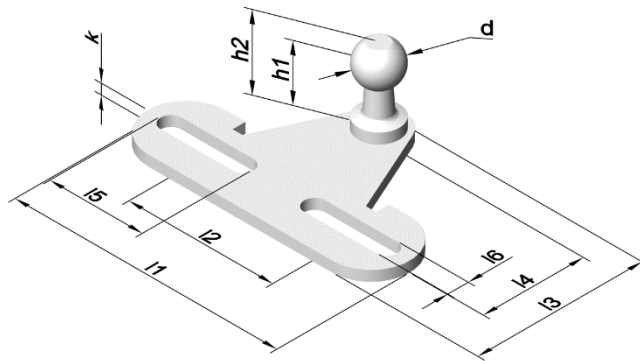


	Code	d	l7	l8	l1	l2	l3	l4	l5	l6	h1	h2	k
I - Stud turned inside O - Stud turned outside	BR600301I	8	11	14,5	51	28	15	7,5	18	4	19	14	2
	BR600301O												
	BR600302I	10	11	15,5									
	BR600302O												
	BR600303I	10	12,5	17									
	BR600303O												

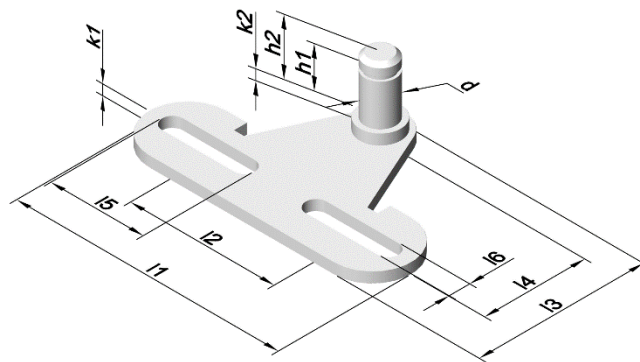


	Code	d	l7	l8	k2	l1	l2	l3	l4	l5	l6	h1	h2	k1
I - Stud turned inside O - Stud turned outside	BR600306I	6	8	11	2	51	28	15	7,5	18	4	19	14	2
	BR600306O													
	BR600307I	8	12	15,5	2									
	BR600307O													

# BR6003 - FLAT BRACKET

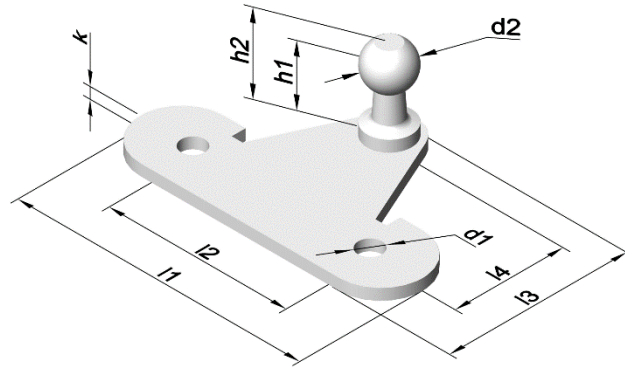


Code	d	h1	h2	l1	l2	l3	l4	l5	l6	k
<b>BR600301</b>	8	11	14,5							
<b>BR600302</b>	10	11	15,5	51	28	32	19,5	18	4	2
<b>BR600303</b>	10	12,5	17							

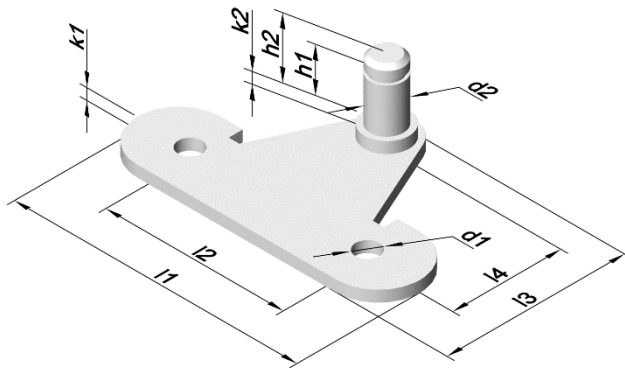


Code	d	h1	h2	k2	l1	l2	l3	l4	l5	l6	k1
<b>BR600306</b>	6	8	11	2							
<b>BR600307</b>	8	12	15,5	2	51	28	32	19,5	18	4	2

## BR6004 - FLAT BRACKET

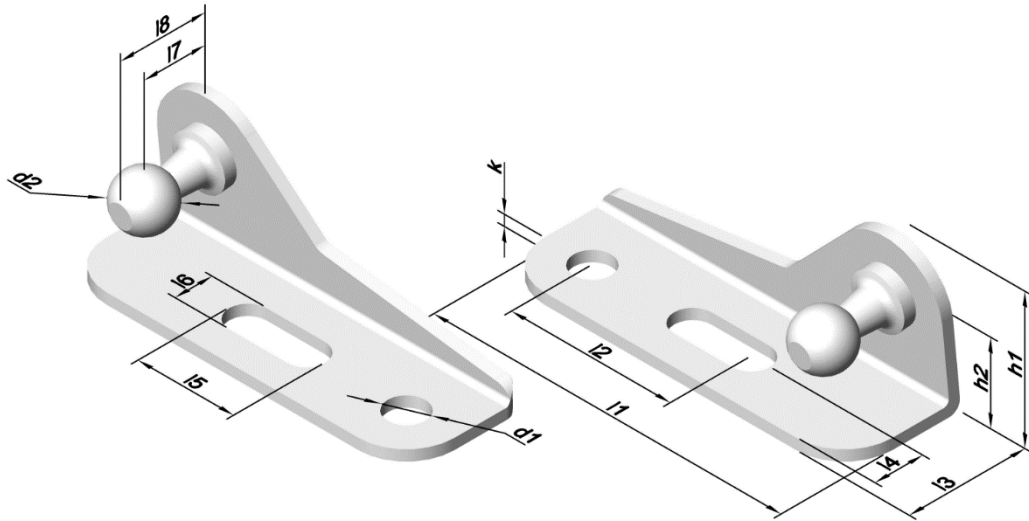


Code	d2	h1	h2	l1	l2	l3	l4	k	d1
<b>BR600401</b>	8	11	14,5						
<b>BR600402</b>	10	11	15,5	51	32	32	19,5	2	4,2
<b>BR600403</b>	10	12,5	17						

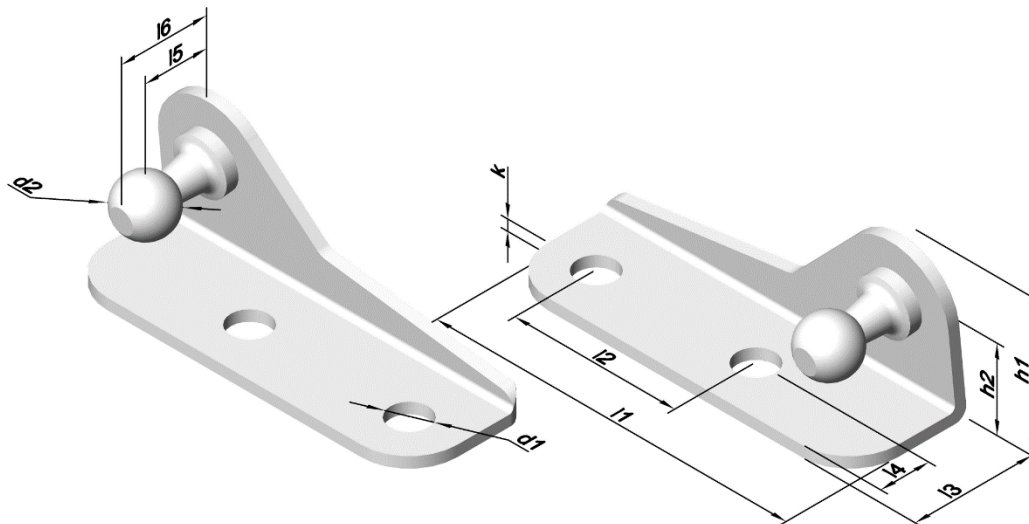


Code	d2	h1	h2	k2	l1	l2	l3	l4	k1	d1
<b>BR600406</b>	6	8	11	2						
<b>BR600407</b>	8	12	15,5	2	51	32	32	19,5	2	4,2

## BR6005 - L-SHAPED BRACKET

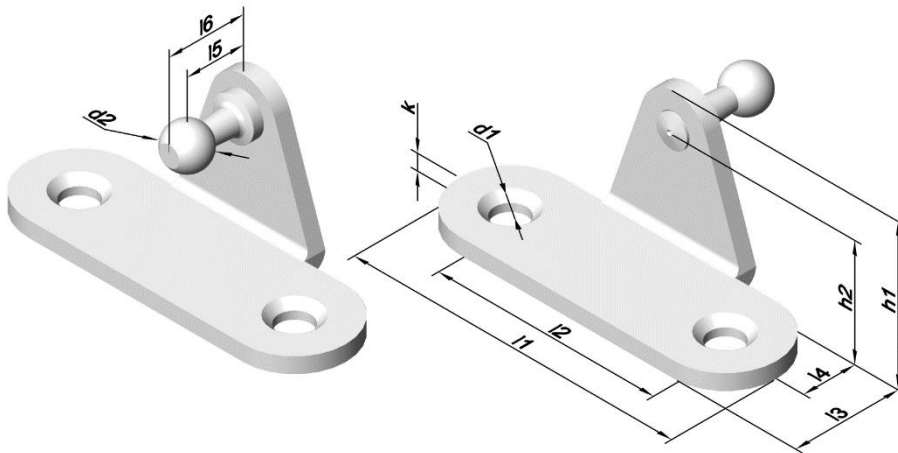


	Code	d2	l7	l8	l1	l2	l3	l4	d1	l5	l6	h1	h2	k
L-Left side R-Right side	BR600501 (L)	8	11	14,5	65,5	30	22	9	7	18	7	29,5	15	2
	BR600501 (R)													
	BR600502 (L)	10	11	15,5										
	BR600502 (R)													
	BR600503 (L)	10	12,5	17										
	BR600503 (R)													

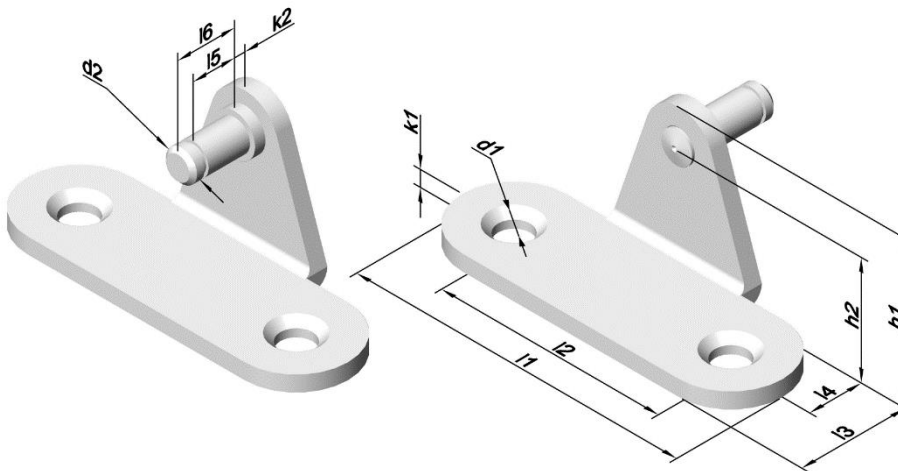


	Code	d2	l5	l6	l1	l2	l3	l4	d1	h1	h2	k
L-Left side R-Right side	BR601501 (L)	8	11	14,5	65,5	30	22	9	7	29,5	15	2
	BR601501 (R)											
	BR601502 (L)	10	11	15,5								
	BR601502 (R)											
	BR601503 (L)	10	12,5	17								
	BR601503 (R)											

# BR6006 - L-SHAPED BRACKET

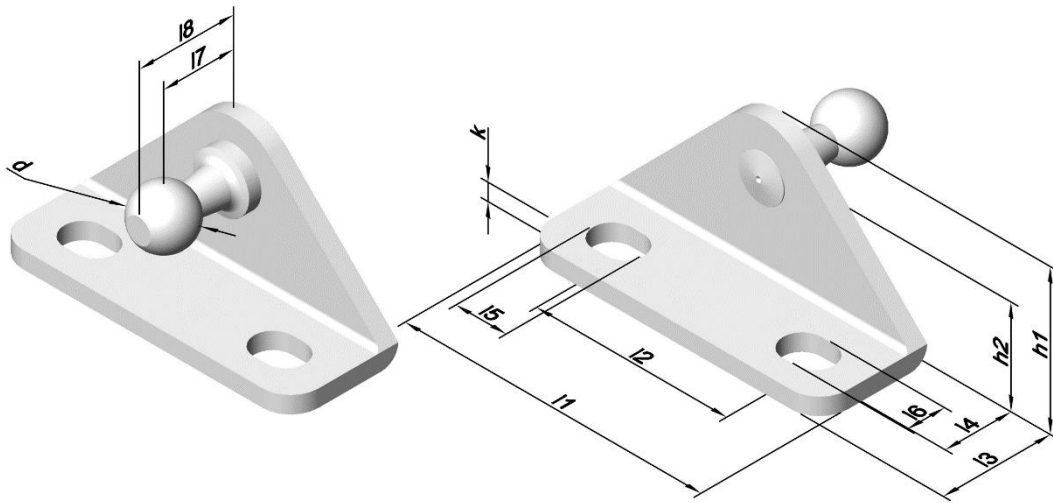


	Code	d2	l5	l6	l1	l2	l3	l4	h1	h2	k	d1
I – Stud turned inside O – Stud turned outside	<b>BR600601I</b>	8	11	14,5	62	42	20	10	27,5	21	3	6,2
	<b>BR600601O</b>											
	<b>BR600602I</b>	10	11	15,5								
	<b>BR600602O</b>											
	<b>BR600603I</b>	10	12,5	17								
	<b>BR600603O</b>											
	<b>BR600604I</b>	13	13	18,5								
	<b>BR600604O</b>											

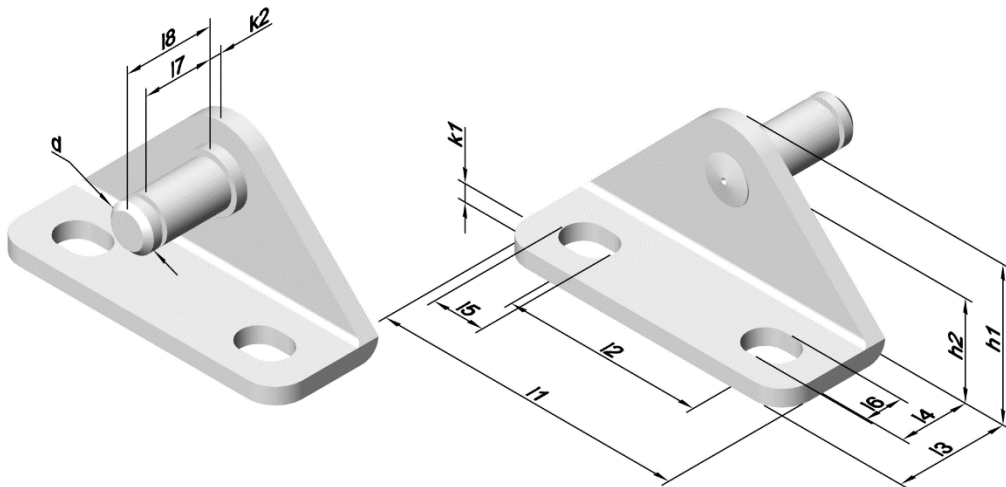


	Code	d2	l5	l6	k2	l1	l2	l3	l4	h1	h2	k1	d1
I – Stud turned inside O – Stud turned outside	<b>BR600606I</b>	6	8	11	2	62	42	20	10	27,5	21	3	6,2
	<b>BR600606O</b>												
	<b>BR600607I</b>	8	12	15,5	2								
	<b>BR600607O</b>												

# BR7001 - L-SHAPED BRACKET

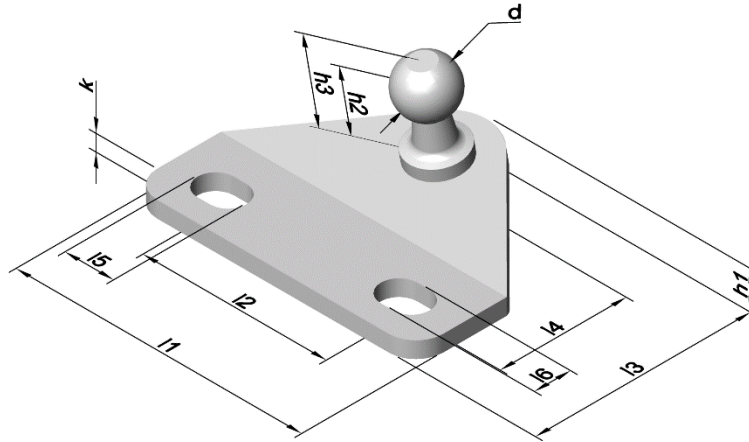


	Code	d	l7	l8	l1	l2	l3	l4	h1	h2	k	l5	l6
I – Stud turned inside O – Stud turned outside	BR700102I BR700102O	10	11	15,5									
	BR700103I BR700103O	10	12,5	17	53	34	19	7,5	26	17	3	9	6,7
	BR700104I BR700104O	13	13	18,5									

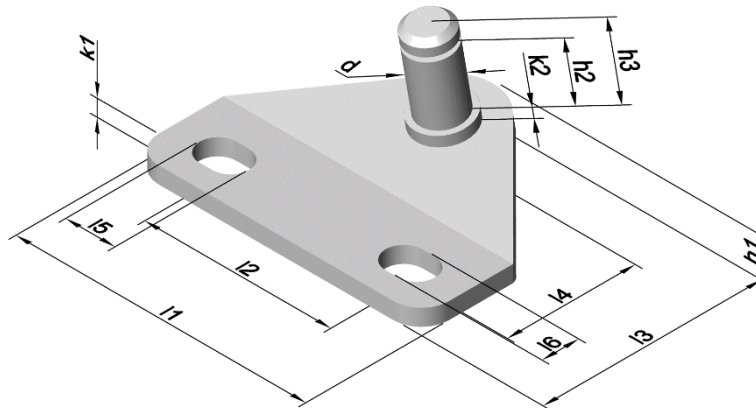


	Code	d	l7	l8	k2	l1	l2	l3	l4	h1	h2	k1	l5	l6
I – Stud turned inside O – Stud turned outside	BR700106I BR700106O	6	8	11	2									
	BR700107I BR700107O	8	12	15,5	2	53	34	19	7,5	26	17	3	9	6,7

# BR7001 - ANGLED BRACKET



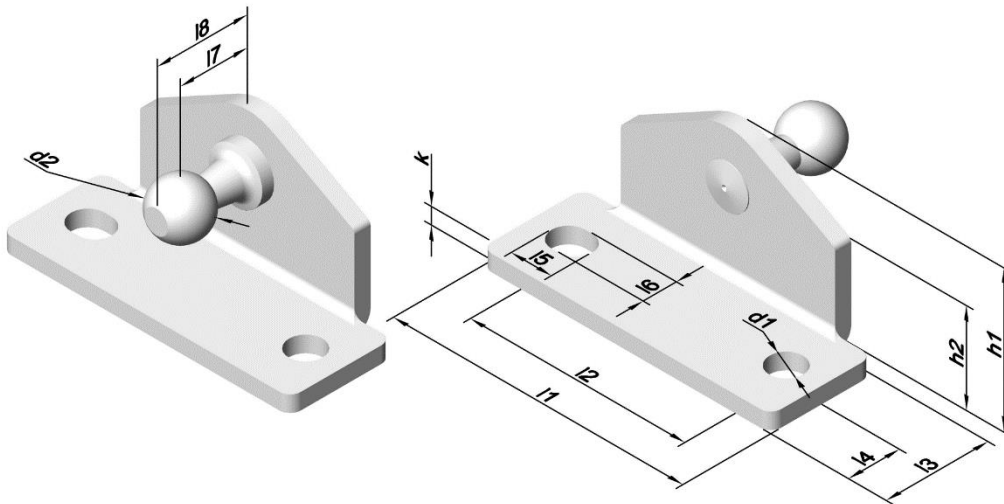
Code	d	h2	h3	l1	l2	l3	l4	h1	k	l5	l6
<b>BR700102</b>	10	11	15,5								
<b>BR700103</b>	10	12,5	17	53	34	39,6	23	10°	3	9	6,7
<b>BR700104</b>	13	13	18,5								



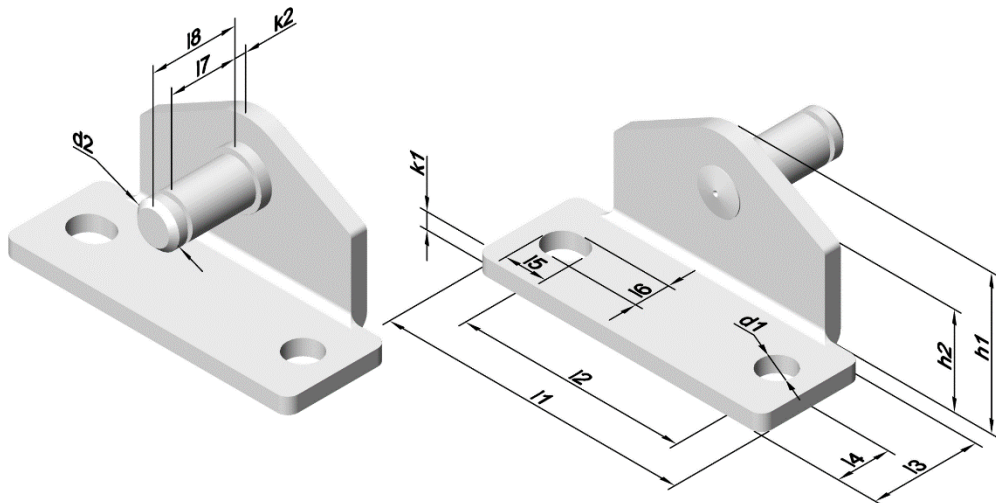
Code	d	h2	h3	k2	l1	l2	l3	l4	h1	k1	l5	l6
<b>BR700106</b>	6	8	11	2								
<b>BR700107</b>	8	12	15,5	2	53	34	39,6	23	10°	3	9	6,7



# BR7002 - L-SHAPED BRACKET

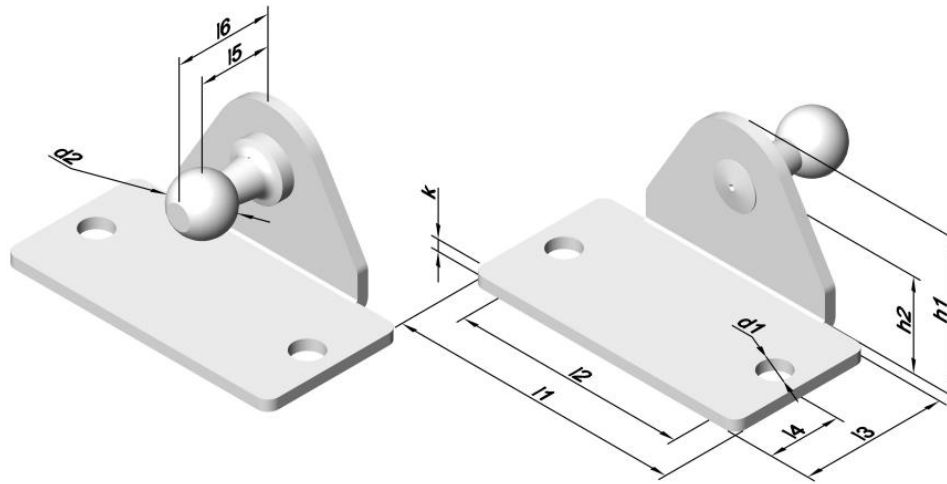


	Code	d2	l7	l8	l1	l2	l3	l4	h1	h2	k	d1	l5	l6
I – Stud turned inside O – Stud turned outside	<b>BR700201</b>	10	11	15,5	54	40	19	9,5	26,5	17	3	6,2	7,5	6,2
	<b>BR700202O</b>													
	<b>BR700203I</b>	10	12,5	17										
	<b>BR700203O</b>													
	<b>BR700204I</b>	13	13	18,5										
<b>BR700204O</b>														

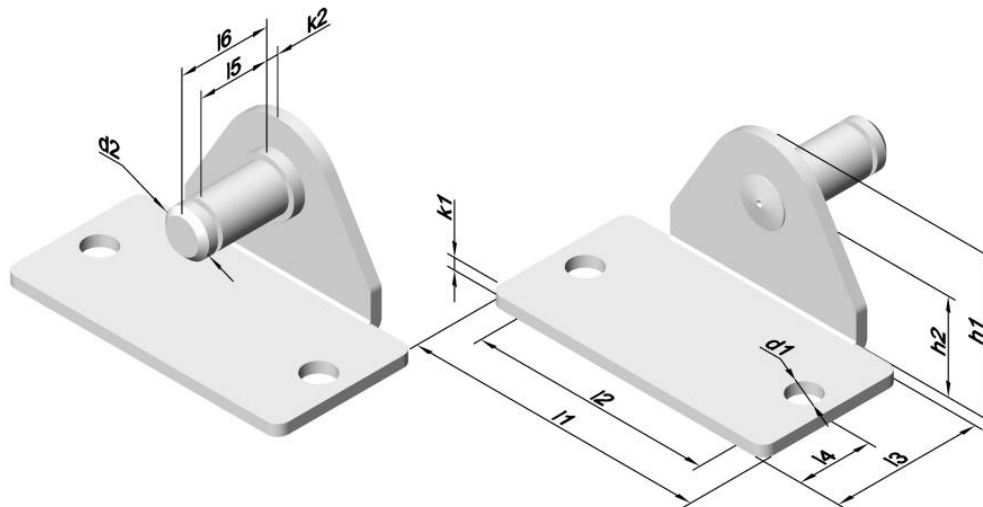


	Code	d2	l7	l8	k2	l1	l2	l3	l4	h1	h2	d1	k1	l5	l6
I – Stud turned inside O – Stud turned outside	<b>BR700206I</b>	6	8	11	2	54	40	19	9,5	26,5	17	3	6,2	7,5	6,2
	<b>BR700206O</b>														
	<b>BR700207I</b>	8	12	15,5	2										
	<b>BR700207O</b>														

## BR7003 - L-SHAPED BRACKET

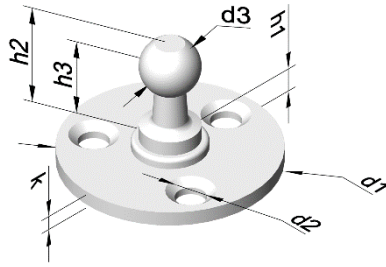


	Code	d2	l5	l6	l1	l2	l3	l4	h1	h2	k	d1
I – Stud turned inside O – Stud turned outside	BR700301I	8	11	14,5	50	40	25	12,5	26	16	2	5,3
	BR700301O											
	BR700301I											
	BR700302O											
	BR700303I											
	BR700303O											



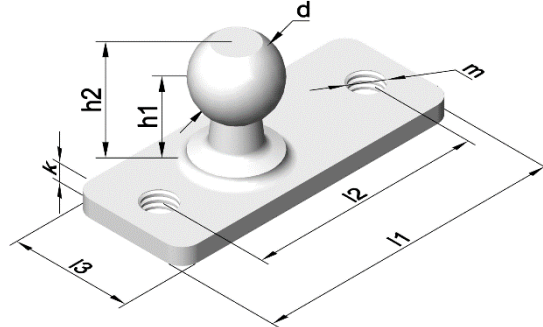
	Code	d2	l5	l6	k2	l1	l2	l3	l4	h1	h2	d1	k1
I – Stud turned inside O – Stud turned outside	BR700306I	6	8	11	2	50	40	25	12,5	26	16	2	5,3
	BR700306O												
	BR700307I												
	BR700307O												

## BR8001 - CIRCULAR BRACKET



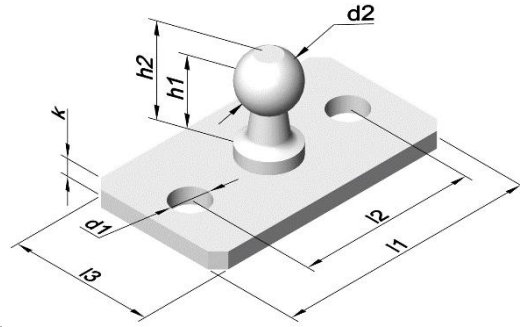
Code	d3	h3	h2	d1	h1	k	d2
<b>BR800101</b>	8	11	14,5				
<b>BR800102</b>	10	11	15,5	29	3,4	2	4,1
<b>BR800103</b>	10	12,5	17				

## BR8002 – WELDED BRACKET

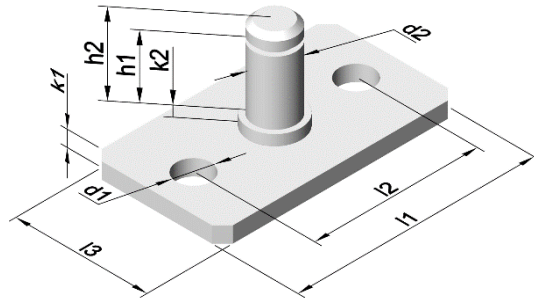


Code	d	h1	h2	l1	l2	l3	k	m
<b>BR800204</b>	13	13	18,5	50	38	20	3	M6
<b>BR800205</b>	16	16	23					

## BR8003 – FLAT BRACKET

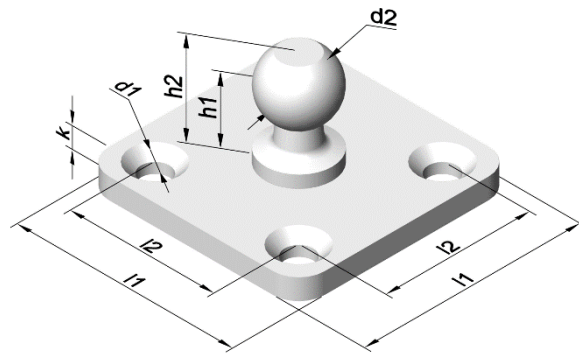


Code	d2	h1	h2	l1	l2	l3	k	d1
<b>BR800301</b>	8	11	14,5	45	31	25	3	6,5
<b>BR800302</b>	10	11	15,5					
<b>BR800303</b>	10	12,5	17					
<b>BR800304</b>	13	13	18,5					

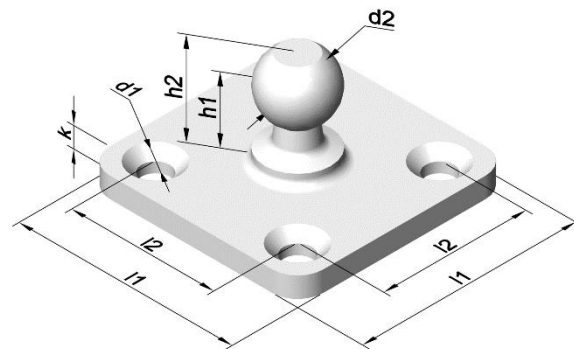


Code	d2	h1	h2	k2	l1	l2	l3	k1	d1
<b>BR800306</b>	6	8	11	2	45	31	25	3	6,5
<b>BR800307</b>	8	12	15,5	2					

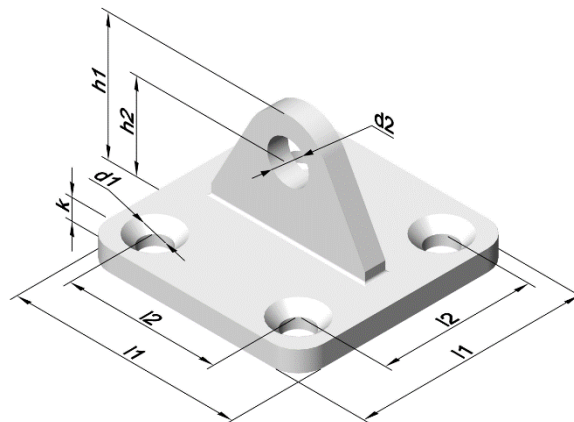
# BR8004 – FLAT BRACKET WITH FOUR HOLES



Riveted	Code	d2	h1	h2	l1	l2	k	d1
	<b>BR800404</b>	13	13	18,5				
	<b>BR800405</b>	16	16	23				

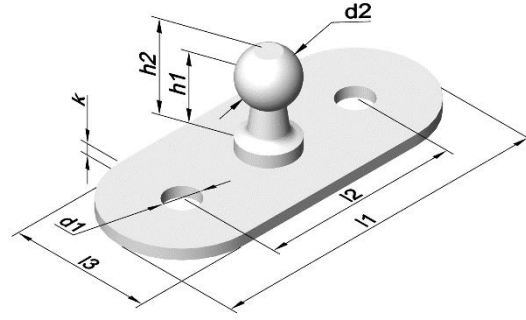


Welded	Code	d2	h1	h2	l1	l2	k	d1
	<b>BR800414</b>	13	13	18,5				
	<b>BR800415</b>	16	16	23				

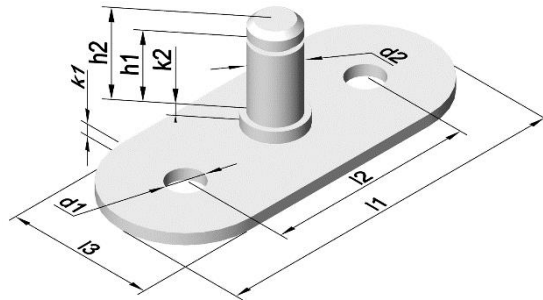


Welded	Code	d2	h2	h1	l1	l2	k	d1
	<b>BR800411</b>	6,1	17	25				
	<b>BR800412</b>	8,1	17	25				
	<b>BR800413</b>	10,1	20	30				

## BR8005 – FLAT BRACKET

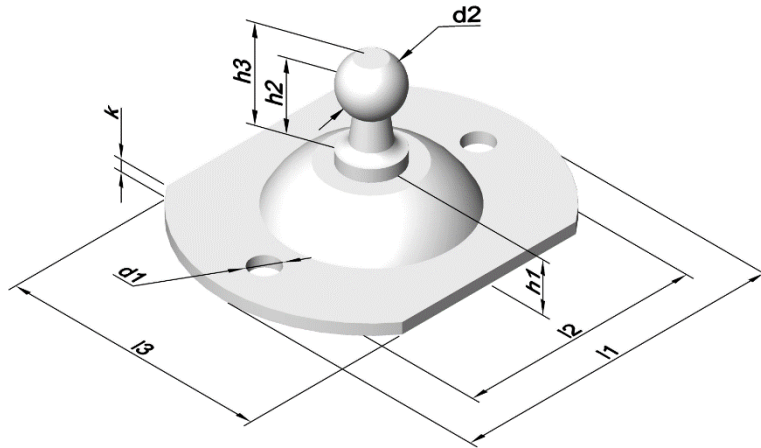


Code	d2	h1	h2	l1	l2	l3	k	d1
<b>BR800501</b>	8	11	14,5					
<b>BR800502</b>	10	11	15,5	60	35	25	2	6,1
<b>BR800503</b>	10	12,5	17					

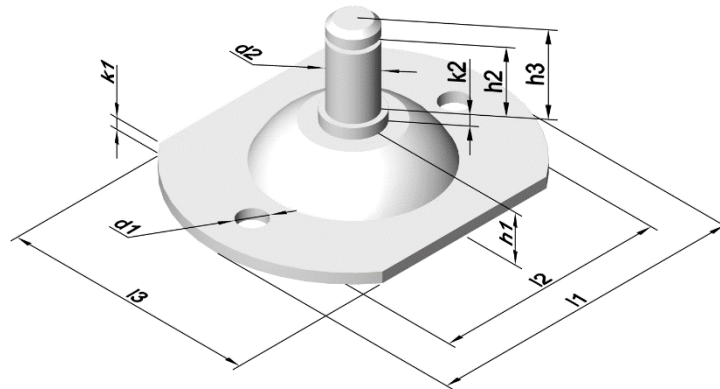


Code	d2	h1	h2	k2	l1	l2	l3	k1	d1
<b>BR800506</b>	6	8	11	2					
<b>BR800507</b>	8	12	15,5	2	60	35	25	2	6,1

# BR9001 – BRACKET WITH TWO HOLES

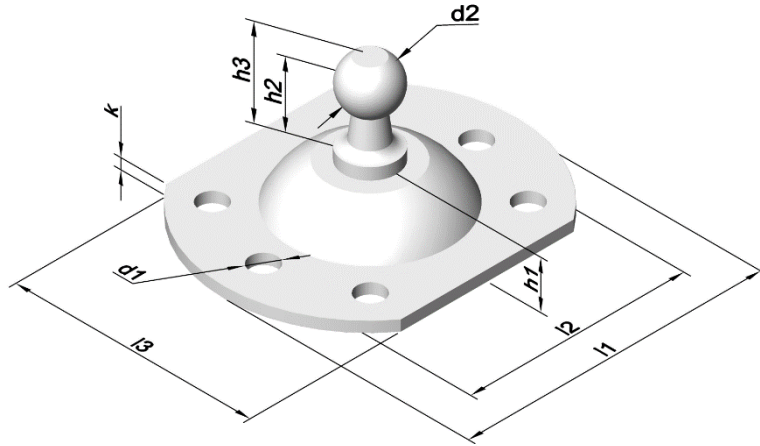


Code	d2	h2	h3	l1	l2	l3	h1	k	d1
<b>BR900101</b>	8	11	14,5	55,5	40,5	44,5	9	2	5
<b>BR900102</b>	10	11	15,5						
<b>BR900103</b>	10	12,5	17						
<b>BR900104</b>	13	13	18,5						
<b>BR910101</b>	8	11	14,5	55,5	40,5	44,5	10	3	5
<b>BR910102</b>	10	11	15,5						
<b>BR910103</b>	10	12,5	17						
<b>BR910104</b>	13	13	18,5						

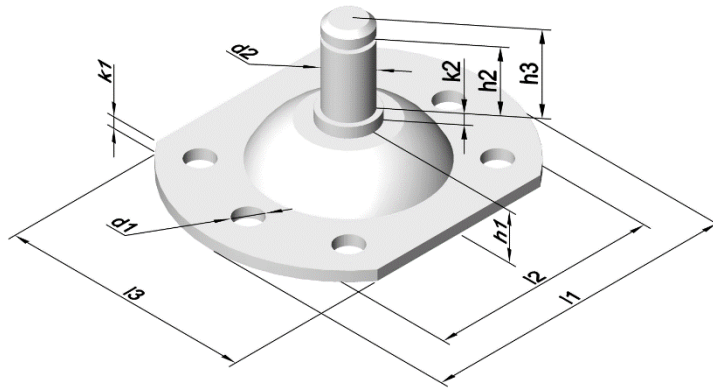


Code	d2	h2	h3	k2	l1	l2	l3	h1	k1	d1
<b>BR900106</b>	6	8	11	2	55,5	40,5	44,5	9	2	5
<b>BR900107</b>	8	12	15,5	2						
<b>BR910106</b>	6	8	11	2	55,5	40,5	44,5	10	3	5
<b>BR910107</b>	8	12	15,5	2						

# BR9002 – BRACKET WITH SIX HOLES



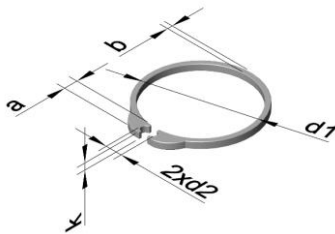
Code	d2	h2	h3	l1	l2	l3	h1	k	d1
BR900201	8	11	14,5	55,5	40,5	44,5	9	2	5
BR900202	10	11	15,5						
BR900203	10	12,5	17						
BR900204	13	13	18,5						
BR910201	8	11	14,5	55,5	40,5	44,5	10	3	5
BR910202	10	11	15,5						
BR910203	10	12,5	17						
BR910204	13	13	18,5						



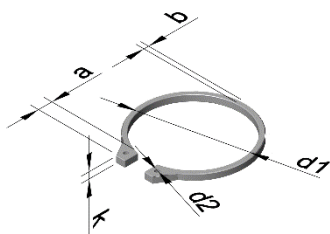
Code	d2	h2	h3	k2	l1	l2	l3	h1	k1	d1
BR900206	6	8	11	2	55,5	40,5	44,5	9	2	5
BR900207	8	12	15,5	2						
BR910206	6	8	11	2	55,5	40,5	44,5	10	3	5
BR910207	8	12	15,5	2						



## CA1 – RETAINING RING DIN471

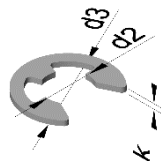


Code	d1	d2	max. a	b	min. d2	k
CA101	4	3,7	2,2	0,9	1	0,4
CA102	5	4,7	2,5	1,1	1	0,6
CA103	6	5,6	2,7	1,3	1,2	0,7
CA104	8	7,4	3,2	1,5	1,2	0,8



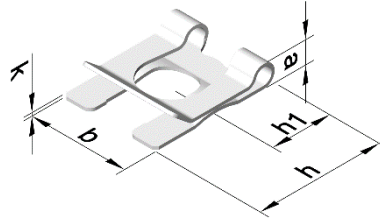
Code	d1	d2	max. a	b	min. d2	k
CA105	10	9,3	3,3	1,8	1,5	1
CA106	12	11	3,3	1,8	1,7	1
CA107	14	12,9	3,5	2,1	1,7	1
CA108	16	14,7	3,7	2,2	1,6	1
CA109	20	18,5	4	2,6	2	1,2

## CA2 – RETAINING RING DIN6799



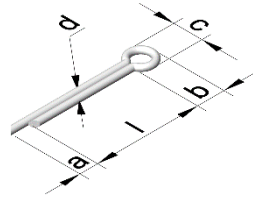
Code	d1	d2	d3	k
CA201	4	3,2	7,3	0,6
CA202	5	4	9,3	0,7
CA203	6	5	11,5	0,7
CA204	8	6	12,3	0,7
CA205	10	8	16,3	1
CA206	12	9	18,8	1,1
CA207	14	10	20,4	1,2
CA208	16	12	23,4	1,3
CA209	20	19	37,6	1,75

## CA3 – SL-RETAINER



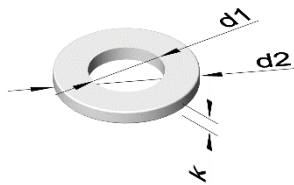
Code	d1	b	h	h1	a	k
CA301	4	7	8,6	4,1	1,9	0,3
CA302	5	9	10,9	5	2,2	0,4
CA303	6	11	13,9	6,2	3,1	0,4
CA304	8	14	18	8,6	3,5	0,45
CA305	10	18	22	10	3,6	0,5
CA306	12	22	25,9	11,8	4,8	0,5
CA307	14	25,1	30,2	13,5	4,8	0,6
CA308	16	18	34	16,2	4,8	0,6

## CA4 – COTTER PIN DIN94



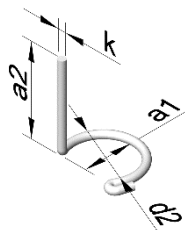
Code	dxl	max. d	min. d	max. a	min. a	b	max. c	min. c
CA401	1x12	0,9	0,8	1,6	0,8	3	1,8	1,6
CA402	1,2x14	1	0,9	2,5	1,25	3	2	1,7
CA403	1,6x16	1,4	1,3	2,5	1,25	3,2	2,8	2,4
CA404	2x18	1,8	1,7	2,5	1,25	4	3,6	3,2
CA405	3,2x22	2,9	2,7	3,2	1,6	6,4	5,8	5,1
CA406	4x28	3,7	3,5	4	2	8	7,4	6,5
CA407	4x32	3,7	3,5	4	2	8	7,4	6,5
CA408	4x36	3,7	3,5	4	2	8	7,4	6,5
CA409	5x40	4,6	4,4	4	2	10	9,2	8
CA410	6,3x56	5,9	5,7	4	2	12,6	11,8	10,3
CA411	6,3x63	5,9	5,7	4	2	12,6	11,8	10,3
CA412	8x71	7,5	7,3	4	2	16	15	13,1

## CA5 – FLAT WASHER DIN125



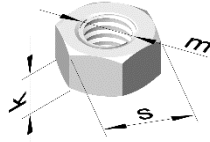
Code	max. d1	min. d1	max. d2	min. d2	k	max. k	min. k
CA501	4,48	4,3	9	8,64	0,8	0,9	0,7
CA502	5,48	5,3	10	9,64	1	1,1	0,9
CA503	6,62	6,4	12	11,57	1,6	1,8	1,4
CA504	8,62	8,4	16	15,57	1,6	1,8	1,4
CA505	10,77	10,5	20	19,48	2	2,2	2,2
CA506	13,27	13	24	23,48	2,5	2,7	2,3
CA507	15,27	15	28	27,48	2,5	2,7	2,3
CA508	17,27	17	30	29,48	3	3,3	2,7
CA509	21,33	21	37	36,38	3	3,3	2,7
CA510	29,33	29	50	49,38	4	4,3	3,7
CA511	31,39	31	56	55,26	4	4,3	3,7
CA512	36,92	36	66	64,80	5	5,6	4,4

## CA6 – CIRCLIP DIN71805



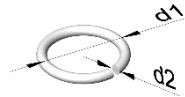
Code	Ball Housing/Ball Joint d1	d2	k	a1	a2
CA601	8	7	1	6,5	12
CA602	10	8,7	1	7,7	12,5
CA603	13	11	1,2	9,5	15,7
CA604	16	13	1,4	11	19
CA605	19	20	1,5	16,5	24

## CA7 – NUT DIN934



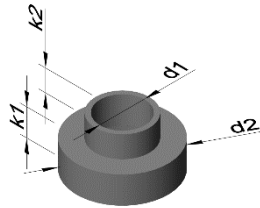
Code	m	min. s	max. s	min. k	max. k
CA701	M4	6,7	7	2,9	3,2
CA702	M5	7,7	8	3,7	4
CA703	M6	9,7	10	4,7	5
CA704	M8	12,7	13	6,1	6,5
CA705	M10	16,7	17	7,6	8
CA706	M12	18,7	19	9,6	10
CA707	M14	21,7	22	10,3	11
CA708	M16	23,7	24	12,3	13

## CA7 – RETAINING RING FOR BALL JOINTS



Code	Ball Housing d1	d2
CA701	8	1
CA702	10	1,2
CA703	13	1,5
CA704	16	1,8
CA705	19	2

## CA9 – RUBBER DUST CAP FOR BALL JOINTS



Code	Ball Housing/Ball Joint d1	d1	d2	k1	k2
CA901	8	5,3	12	5	4
CA902	10	6,3	14	5	4
CA903	13	8,3	17	5	4
CA904	16	9,3	20	5	4
CA905	19	10,3	23	5	4

## Notes

A series of horizontal dotted lines for writing notes.



# MK GAS SPRINGS

*Mastering Motion Technology*



[www.mkgassprings.com](http://www.mkgassprings.com)

MK MATERIAL Oto. San. ve Tic. Ltd. Şti.

+90 212 485 06 85

[info@mkgassprings.com](mailto:info@mkgassprings.com)