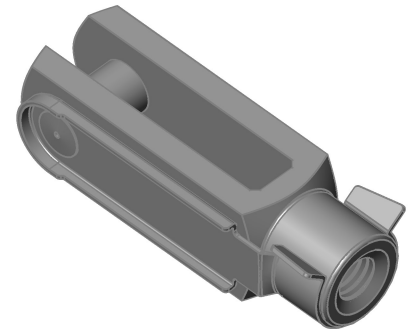


(1:1)



No sharp ends, no burrs, no significant surface defects.
General Tolerances DIN ISO 2768-medium

(C) MK Material Oto. San. ve Tic. Ltd. Şti. All rights reserved.

Mea.	Tolerance	T. Max. Dim.	T. Min. Dim.	Material	Note
				11SMnPb30 + CK67	-
				Plating	Quality control: () Product accepted. () Product rejected. () Product accepted conditionally. Date:
Drawn By	Name	Date	Signature	Zn/White	
Checked By					
Approved By					
Scale	Drawing No / Company Name			Rev. No	
1:1	CC108			01	