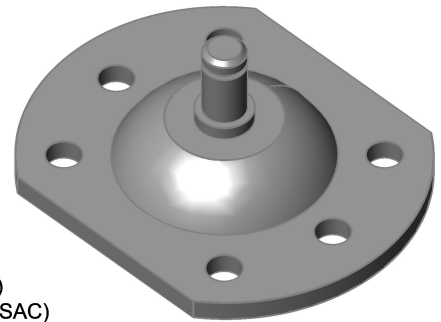


(1:1)



- 1 - Bolt (BB1086.456)
- 2 - Bracket (BR9102 SAC)

General Tolerances DIN ISO 2768-medium

(C) MK Material Oto. San. ve Tic. Ltd. Şti. All rights reserved.

| Mea.        | Tolerance                 | T. Max. Dim. | T. Min. Dim. | Material                | Note  |
|-------------|---------------------------|--------------|--------------|-------------------------|---|
|             |                           |              |              | Steel Sheet + 11SMnPb30 | -   |
|             | Name                      | Date         | Signature    | Plating                 | Quality control:<br><input type="checkbox"/> Product accepted.<br><input type="checkbox"/> Product rejected.<br><input type="checkbox"/> Product accepted conditionally.<br>Date: |
| Drawn By    |                           |              |              | Zn/White                |   |
| Checked By  |                           |              |              |                         |   |
| Approved By |                           |              |              |                         |   |
| Scale       | Drawing No / Company Name |              |              | Rev. No                 |   |
| 1:1         | BR910206                  |              |              | 00                      |   |