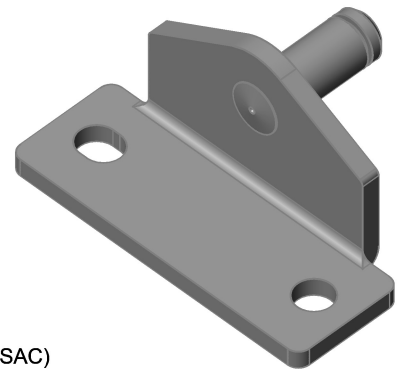


(1:1)



- 1 - Bolt (BB1108.456)  
2 - Bracket (BR7002 L-SAC)

General Tolerances DIN ISO 2768-medium

(C) MK Material Oto. San. ve Tic. Ltd. Şti. All rights reserved.

| Mea.        | Tolerance                 | T. Max. Dim. | T. Min. Dim. | Material                   | Note   |
|-------------|---------------------------|--------------|--------------|----------------------------|--|
|             |                           |              |              | Steel Sheet +<br>11SMnPb30 | -  |
|             | Name                      | Date         | Signature    | Plating                    | Quality control:<br>( ) Product accepted.<br>( ) Product rejected.<br>( ) Product accepted conditionally.<br>Date: |
| Drawn By    |                           |              |              | Zn/White                   |  |
| Checked By  |                           |              |              |                            |  |
| Approved By |                           |              |              |                            |  |
| Scale       | Drawing No / Company Name |              |              | Rev. No                    |  |
| 1:1         | BR7002070                 |              |              | 00                         |  |