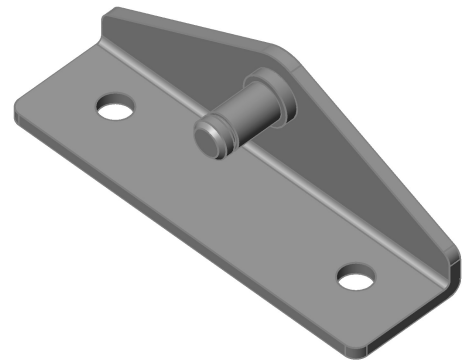


(1:1)



- 1 - Bolt (BB1086.356)
- 2 - Bracket (BR4004 L-SAC)

General Tolerances DIN ISO 2768-medium

(C) MK Material Oto. San. ve Tic. Ltd. Şti. All rights reserved.

| Mea. | Tolerance | T. Max. Dim. | T. Min. Dim. | Material | Note |
|-------------|---------------------------|--------------|--------------|-------------------------|---|
| | | | | Steel Sheet + 11SMnPb30 | - |
| | Name | Date | Signature | Plating | Quality control: <input type="checkbox"/> Product accepted. <input type="checkbox"/> Product rejected. <input type="checkbox"/> Product accepted conditionally. Date: |
| Drawn By | | | | Zn/White | |
| Checked By | | | | | |
| Approved By | | | | | |
| Scale | Drawing No / Company Name | | | Rev. No | |
| 1:1 | BR400406I | | | 00 | |